

旋塞阀系列
波纹管阀门系列
Plug Valves
Bellow Valves

立信阀门集团有限公司
LIXIN VALVE GROUP CO., LTD.

立信旋塞阀分公司
LIXIN VALVE GROUP PLUG VALVE BRANCH

地址：浙江省永嘉县瓯北城市新区东瓯工业区（安丰工业区）舟山路

Add: Zhoushan Rd, Dong'ou Industrial Zone(An'feng), Oubei District, Yongjia County, Zhejiang Province.

邮编/PC: 325102

电话/Tel: +86-577-67966777 67990988

传真/Fax: +86-0577-67966779

邮箱/E-mail: 57885555@163.com

lixin-xsf@163.com

www.luzv.com

重要事项：

图示尺寸与实物尺寸可能略有差异，本生产商有权修改或取消上述产品，恕不另行通知。若使用过期或作废的图纸，本生产商将不负任何责任。

NOTICE:

These measurements are subject to change or cancellation, no responsibility is assumed for use of superseded or voided pages.

© 立信阀门集团（LIXIN）2023版权所有 采用生态纸印刷



 **中国·立信阀门集团**
CHINA LIXIN VALVE GROUP

旋塞阀分公司



Brief Introduction

企业简介

立信阀门集团有限公司，是国家级无区域集团，座落在“中国泵阀之乡”——浙江省永嘉县瓯北东瓯工业区舟山路，是一家集阀门研发、生产、销售及服务于一体化的现代化企业，公司始建于2000年，自创建以来技术不断创新，规模日益壮大。2008年在浙江立信阀门有限公司基础升格为立信阀门集团有限公司，集团注册资金2.88亿元，下辖五个子公司，其中拥有云和铸造生产基地，总建筑面积达50000平方米，现有员工450人，其中中高级工程技术人员50多人，大专以上人员150多人，拥有数控加工中心、各种大中型设备、光谱仪等专用检测设备共460台套，年生产能力达20000吨。

集团有健全质量管理体系，先后通过了ISO9001、ISO14001、OHSAS18001体系认证；并通过美国石油学会API 6D企业认证，API607、6FA、624经TUV产品认证、ISO15848-1试验经TUV认证，欧共体CE认证等；取得国家特种设备制造许可（压力管道）TS（A1）证书，获得35项国家专利，高新技术企业，标准起草单位，浙江省著名商标，浙江省技术研发中心，浙江省信用管理示范企业，浙江省区域名牌产品，浙江省科技型中小企业，浙江省名牌产品，温州市名牌产品，温州市红十字会博爱功勋奖，温州市高成长企业，永嘉县巨龙企业，永嘉县领军企业，永嘉县县长质量奖，永嘉县十佳诚信典范企业，银行资信AAA级单位；集团系中石化供应商网络成员单位，中国海油采办业务系统成员单位、中国华电集团公司集团级供应商会员，中油中泰燃气投资集团市场准入单位，中国化工装备总公司定点生产企业单位，国家工程建设推荐产品单位，中国燃气协会会员单位，国家电力配件供应网络成员单位。

集团现产品种类有通用阀门、特种阀门、非标阀门与阀门配件等四大系列，并广泛应用于石油、化工、电力、矿山、冶金、钢铁、选煤、氧化铝、造纸、制药、污水处理等行业，产品远销东南亚、中东、欧洲、南美、非洲等世界各地，深受国内外广大用户的赞誉，并与建立了长期稳定的合作关系。

集团始终坚持“以人为本、真诚服务、以质兴企、科技创新”的企业经营理念，以市场需求为导向，为开拓全球阀门市场，打造立信阀门品牌，振兴民族工业发展，热忱欢迎国内外各界朋友携手合作，共创辉煌！



As a non-regional group company, located in 'China Pump&Valve Town' Zhoushan Road Dongou industrial, Oubei Town, Yongjia County, Zhejiang Province. Lixin Valve Group Co., Ltd. is a modern enterprise specialized in research, development, production, sales and service of valves since 2000, it was upgraded to a group company of China from Zhejiang Lixin Valve Co., Ltd. in 2008, with 288 million CNY registered capital and 5 branch companies (include manufacturing base Yunhe foundry). We owned up to 50000m², intermediate engineers and more than 150 college or above staffs. We have a total of 460 sets of equipments, such as CNC machining centers, various large and medium-sized equipment, and spectrometers and other special testing equipment. and over 20000 tons annual output.

We have integrated quality management system, and have passed ISO9001, ISO14001, OHSAS18001 System Certification, also have the American Petroleum Institute API 6D certification, TUV certified API607, 6FA, 624, ISO 15848-1 test, European Union CE certification, national special equipment manufacturing license (pressure pipes) TS (A1) certificates, and 35 national utility new model patents, New High-tech Enterprise, Standards Drafting Enterprise, Famous Trademark of Zhejiang Province, Technology R & D Center of Zhejiang Province, Credit Management Model Enterprise of Zhejiang Province, Area Famous Brand Products of Zhejiang province, Technology Small and mid-sized Enterprise of Zhejiang province, Famous Brand products of Zhejiang Province, Famous Brand Product of Wenzhou City, Wenzhou Red Cross Boai Meritorious Award, High-growth Enterprise of Wenzhou, Dragon Enterprise of Yongjia County, Leading Enterprise

of Yongjia, Mayor Quality Award of Yongjia, Top ten Integrity Model Enterprise of Yongjia County, Bank credit grade AAA company. We are a member of Sinopec network, a member of CNOOC procurement business system, a group level supplier of China Huadian Corporation, a market access company of China City Natural Gas Investment Group, a designated production enterprise of China National Chemical Equipment Co., Ltd, an enterprise of recommended products for national engineering construction, a member of China Gas Association and a member of the national power parts supply network.

Now we have 4 major product categories, including General Industrial Valves, Special Valves, Non-standard Valves and Fittings. Products are widely used in such industries as petroleum, petrochemical industry, electric power, mining, metallurgy, paper making, pharmacy, aluminum oxide and sewage treatment etc. Furthermore, the products have been sold far to Southeast Asia, Oceania, Mideast, Europe, North/South America and Africa with clients' praise, and got long-term stable cooperators and agents all over the world.

We always adhered to the business philosophy 'people-oriented, Sincere Service, High Quality Enterprise, Scientific and Technological Innovation'. Regarding market demands as guider, to expand the global valve market, to create brand Lixin Valve, to promote the development of national industry, warmly welcome friends from all over the world work together to create brilliant!





Integrity Let Us Root In The Valve World.
立足阀门市场 信守质量承诺

Production Equipment

生产装备

科学技术是第一生产力，科学技术也是企业的核心竞争力。不断加强核心技术的研发和创新，不断追求卓越，精益求精，以先进的生产设备，严格的质量管理，精密的生产检测流程，保证每一款产品的优良性能。生产工具是生产力发展水平的标志。先进的生产设备代表了先进的生产力。立信公司积极引进的技术和生产设备，使产品内在品质与外在个性化紧密结合，完全满足引领工业现代化的需求。

Science and technology constitute a primary productive force. It's also the core competitive strength of the enterprise. Continuously intensifying the research, development and innovation of core technology, pursuing prominence and keeping improving, ensuring the excellent quality and performance of every single product by advanced production equipment, strict quality control and precise production and inspection procedures. Production facility is the sign of productivity. Advanced production equipment represents advanced productivity. By introducing superior technology and production facilities continuously, LIXIN Company perfectly integrates the internal quality of products and the external individualized designs, to cater for the requirements of industrial mode mization.

Better Equipment, Perfect Quality.

装备精益求精，品质尽善尽美。

立信的成功在于不仅仅注重表面的完美，更加追求细节的精致。立信对每一个产品都进行严格的检测。检测员高度负责的用心溶于每一个部件中，加上最先进的检测设备和严格的科学化管理，使每一个生产的产品经得住顾客的精心挑选。立信人庄严承诺让每一个生产产品都达到出厂标准。这正是立信产品得以畅销的秘诀所在。

LIXIN's success originates from the perfect appearance as well as delicate particulars of its product. LIXIN does strict to every product. The high responsible of inspector is dissolved to every component, plus the most advanced testing equipment and strict scientific management, to make every product can withstand customer's picking. LIXIN promises every product leaving factory is eligible. That is the secret of salable for LIXIN product.



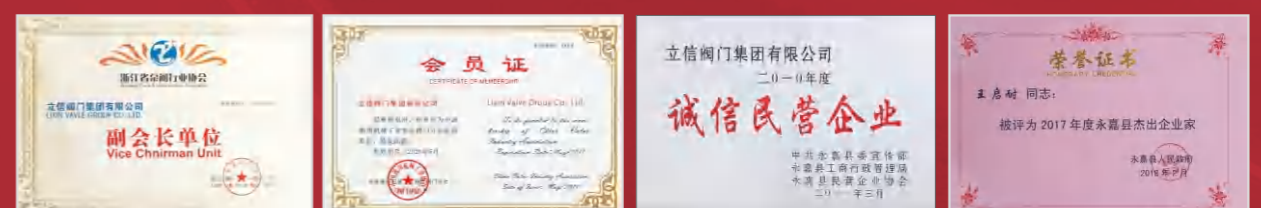
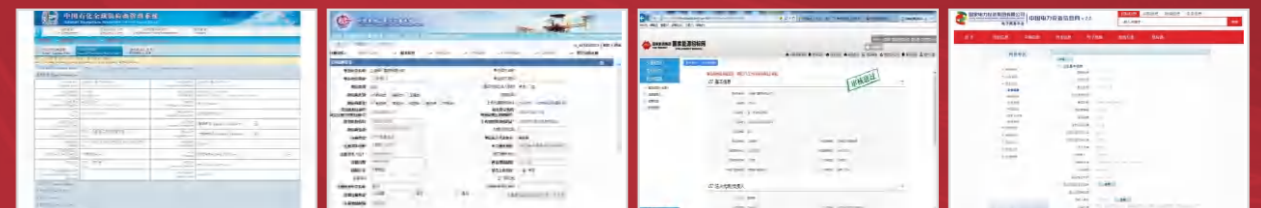
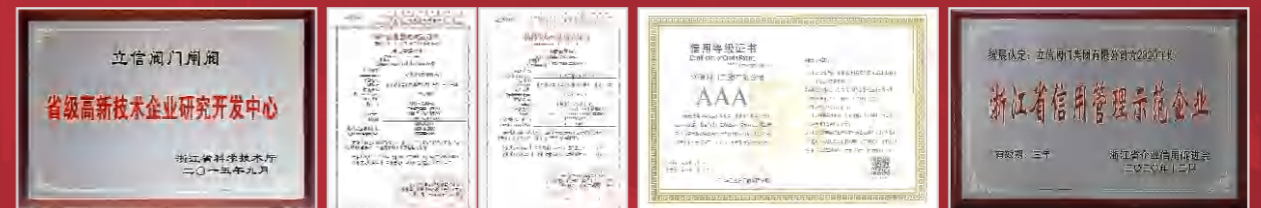


HONOR AND QUALIFICATION

荣誉与资质

金杯、奖杯，回眸立信的一个辉煌过去，也预示立信一个金灿灿的未来。
但是立信更坚信的是辛勤、汗水、孜孜以求与不懈努力，努力，再努力.....

Review a glorious past of Lixin, golden cup, trophy, also indicates a golden future.
But Lixin more convinced that the hard work, sweat, assiduous and unremitting efforts,
hard work, more and more effort.



Products Show

产品展示



● 压力平衡式旋塞阀



● 卡套式软密封旋塞阀



● 轨道式旋塞阀 (将军阀)



● 提升式硬密封旋塞阀



● 四通压力平衡式旋塞阀



● 弹性座封偏心旋塞阀



● 提升式旋塞阀 (伞齿轮)



● 压力平衡式旋塞阀 (蜗轮)



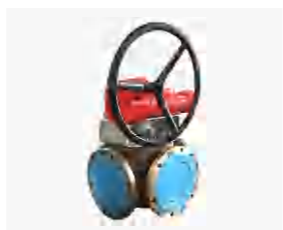
● 卡套式软密封旋塞阀 (蜗轮)



● 三通卡套式旋塞阀 (L型)



● 三通卡套式旋塞阀 (T型)



● 四通铝青铜旋塞阀 (蜗轮)



● 保温提升式旋塞阀



● 保温提升式旋塞阀 (伞齿轮)



● 保温压力平衡式旋塞阀 (蜗轮)



● 光杆保温油封式旋塞阀



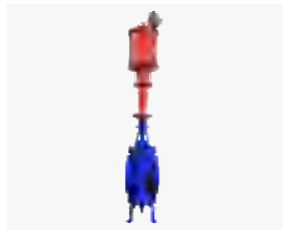
● 轨道式旋塞阀 (电动)



● 加长杆压力平衡式旋塞阀 (蜗轮)



● 加长杆保温卡套式旋塞阀



● 轨道式旋塞阀 (液动)



● 全口径卡套式旋塞阀 (蜗轮)



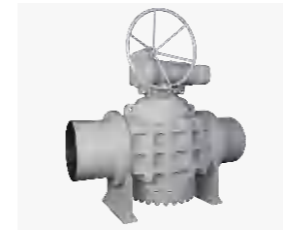
● 全口径提升式硬密封旋塞阀



● 全口径轨道式旋塞阀(将军阀)



● 全口径压力平衡式旋塞阀 (蜗轮)



● 带接管压力平衡式旋塞阀 (蜗轮)



● 全口径保温卡套式旋塞阀 (蜗轮)



● 保温卡套旋塞阀



● 衬氟旋塞阀



● 压力平衡式内螺纹旋塞阀



● 保温对焊提升式旋塞阀



● 压力平衡式旋塞阀 (蜗轮)



● 高压压力平衡式旋塞阀



● 承插焊卡套式旋塞阀



● 对焊卡套式旋塞阀



● 保温卡套式螺纹旋塞阀



● 卡套式内螺纹旋塞阀



● 单(双)冲洗旋塞阀



● 保温正装硬密封旋塞阀



● 保温卡套式旋塞阀 (气动)



● 卡套式旋塞阀 (气动)



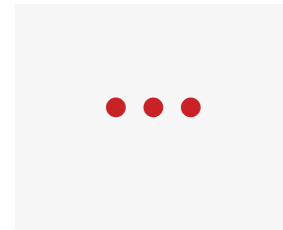
● 锻钢螺纹压力平衡式旋塞阀



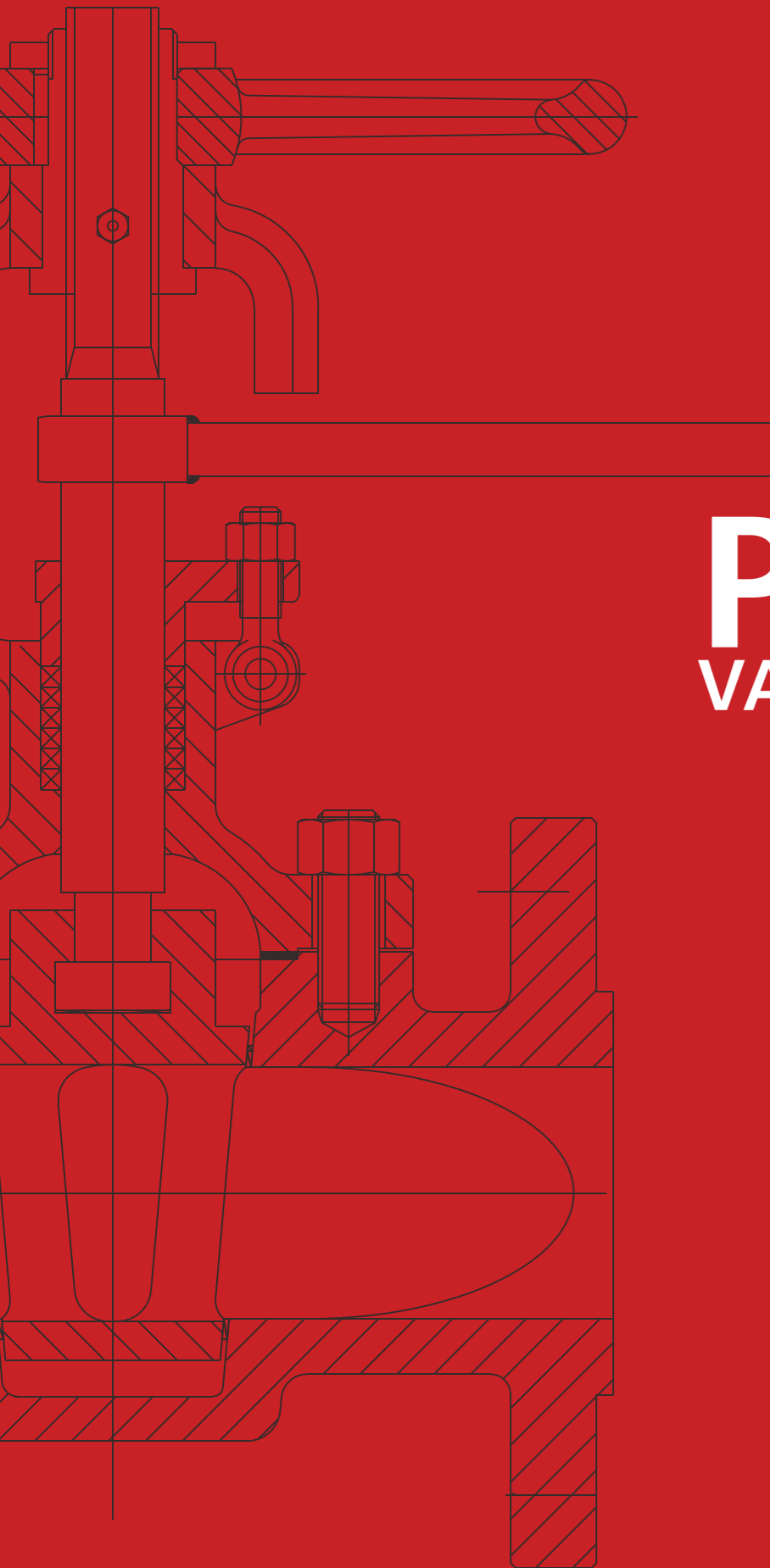
● 德标波纹管截止阀



● 美标波纹管截止阀



● 卡套式旋塞阀 (气动)



PLUG VALVE SERIES

旋塞阀系列

美标压力平衡式倒装油密封旋塞阀 INVERTED PRESSURE BALANCE LUBRICATED PLUG VALVE ACC. TO ANSI

产品结构特点 PRODUCT STRUCTURAL FEATURES

美标压力平衡式倒装油密封旋塞阀适用于公称压力 CLASS150~1500LBS, 工作温度-29~80℃的石油、化工、制药、化肥、电力行业等各种工况的管路上, 切断或接通管路介质。

Inverted pressure balance lubricated plug valve acc.to ANSI is applicable to the cutting and connection of pipelines medium, in various industries such as petroleum, chemical industry, pharmacy, chemical fertilizer, electric power industry etc under nominal pressure of CLASS150-1500LBS and working temperature of -29~80℃.

其主要结构特点 MAIN STRUCTURAL FEATURES

- 1/ 产品结构合理、密封可靠、性能优良、造型美观;
- 2/ 倒装压力平衡的结构, 开关动作轻;
- 3/ 阀体和密封面间设有油槽, 可随时通过油嘴向阀座注入密封油脂, 增加密封性能;
- 4/ 零件材质及法兰尺寸可根据实际工况或用户要求合理选配, 满足各种工程需要。

- 1/ It has logical structure, reliable seal, excellent performance and nice design.
- 2/ It has the structure of flip-chip balanceable pressure and light on/off operation.
- 3/ An oil groove is set between valve body and seal surface, which may infuse the seal grease to increase the seal capability.
- 4/ The part material and flange dimension may be selected according to current operating condition or user's requirement, so as to meet the requirements of various engineering.

技术规范 TECHNICAL SPECIFICATION

结构形式 Structural formation	BC
驱动方式 Driving manner	手柄、蜗轮蜗杆传动、气动、电动 Wrench wheel, worm & worm gear, pneumatic, electric-actuated
设计标准 Design standard	API599、API6D
结构长度 Face to face	ASME B16.10
连接法兰 Flange ends	ASME B16.5
试验和检验 Test & inspection	API598.API 6D

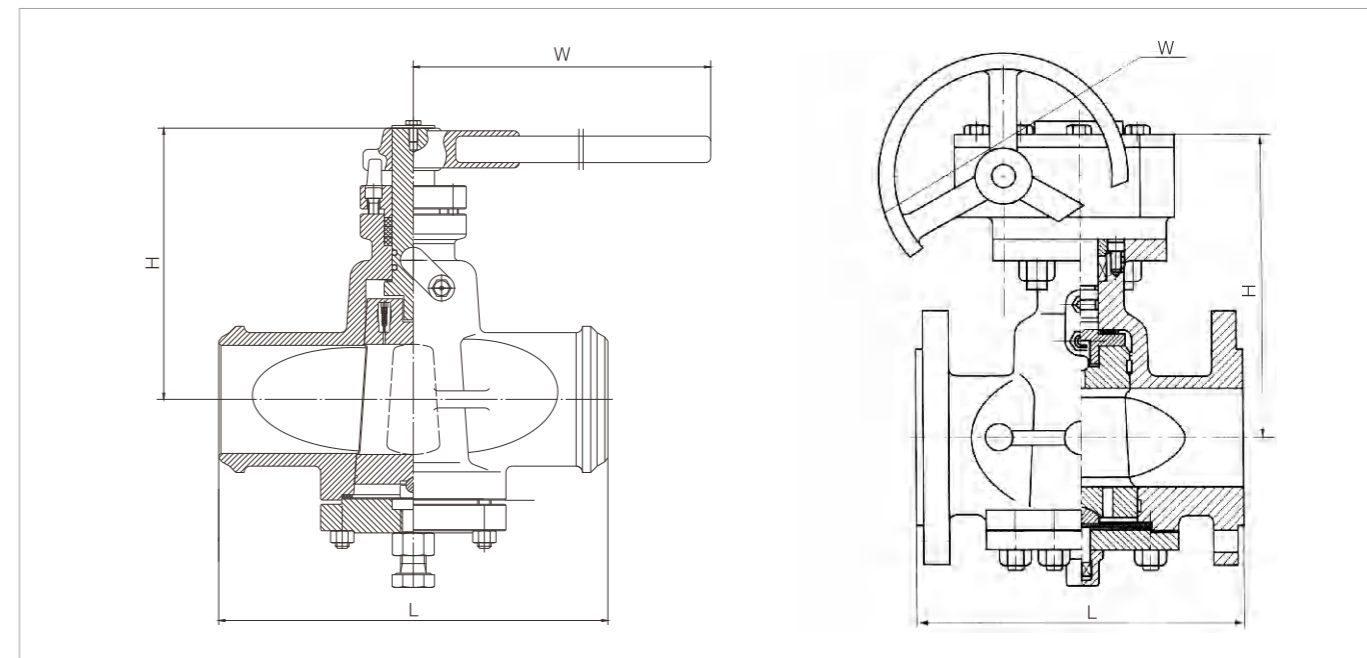
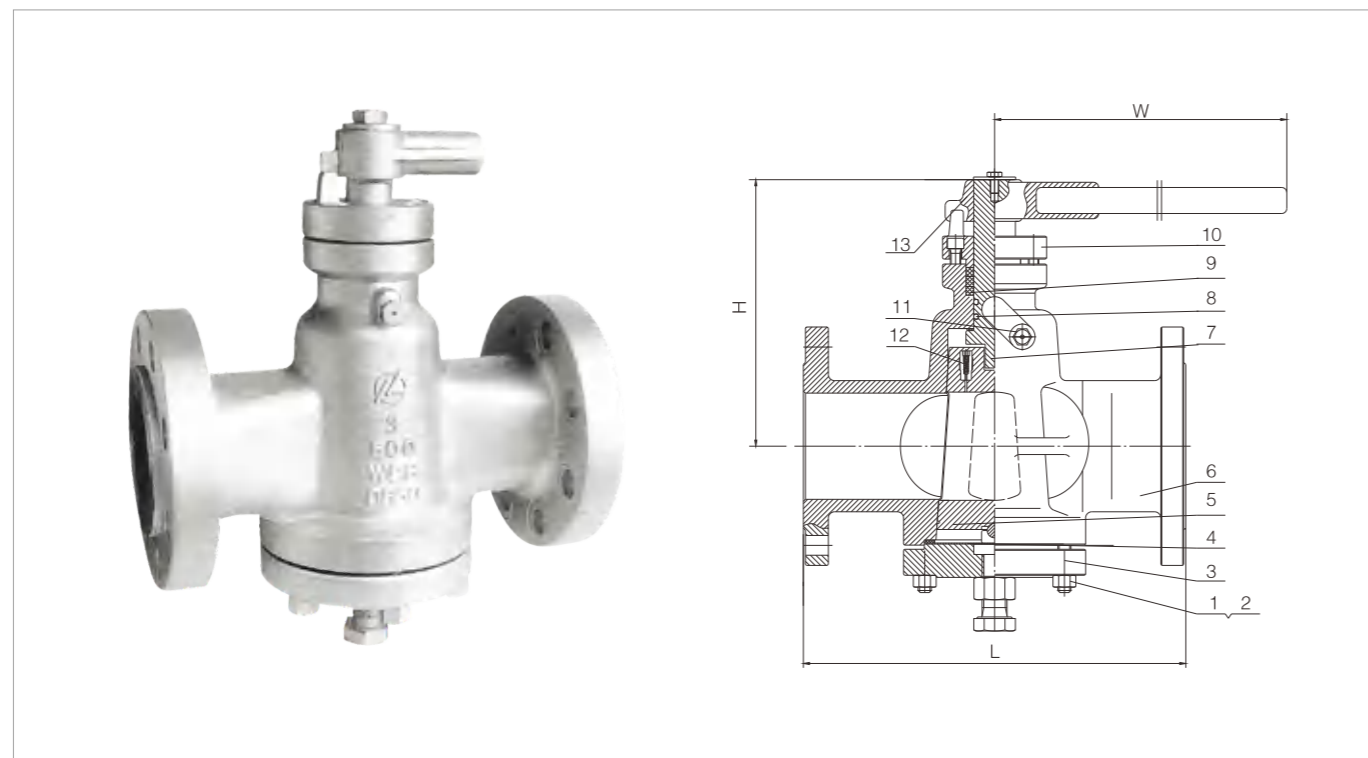
产品性能规范 PRODUCTS PERFORMANCE SPECIFICATION

公称压力(LB) Nominal pressure	壳体试验压力(MPa) Shell test	密封试验压力(MPa) Sealing test	适用温度(℃) Suitable temp.	使用介质 Suitable medium
150	3.0	2.2	≤80℃	水、蒸汽、油品等 Water oil & gas
300	7.5	5.5		
600	15.0	11.0		
900	22.5	16.5		

美标压力平衡式倒装油密封旋塞阀
INVERTED PRESSURE BALANCE LUBRICATED
PLUG VALVE ACC. TO ANSI

美标压力平衡式倒装油密封旋塞阀
INVERTED PRESSURE BALANCE LUBRICATED
PLUG VALVE ACC. TO ANSI

立足阀门市场 信守质量承诺
Integrity let us root in the valve world.



主要零部件材质 MAIN PARTS MATERIALS

序号NO.	名称 Part name	材质 Material
1	双头螺栓 Bolt	ASTMA193-B7、A320-B8、A193-B8M
2	六角螺母 Nut	ASTMA194-2H、A194-8、A194-8M
3	阀盖 Cover	ASTM A216-WCB、ASTM A217-WC1、WC6、WC9、C5 ASTM A351-CF8、CF8M、CF3、CF3M
4	垫片 Gasket	柔性石墨+不锈钢 Flexible graphite+stainless steel、PTFE
5	塞子 Plug	ASTM A182-Gr.F6a、ASTM A182-F22 ASTM A182-F304、F316、F321、F304L、F316L
6	阀体 Body	ASTM A216-WCB、ASTM A217-WC1、WC6、WC9、C5 ASTM A351-CF8、CF8M、CF3、CF3M
7	阀杆 Stem	ASTM A182-Gr.F6a、ASTM A182-F22 ASTM A182-F304、F316、F321、F304L、F316L
8	“O”型圈 “O” ring	丁腈橡胶 NBR
9	填料 Packing	柔性石墨+不锈钢 Flexible graphite、PTFE
10	填料压盖 Gland	ASTM A216-WCB、ASTM A217-WC1、WC6、WC9、C5 ASTM A351-CF8、CF8M、CF3、CF3M
11	加油嘴 Oil nozzle	
12	止回阀 Check valve	
13	手柄 Wrench	ASTM A47-32510、A216WCB

型号Model		X47W-150LB															
口径 Size	mm	15	20	25	32	40	50	65	80	100	125	150	200	250	300	350	
	in	1/2	3/4	1	1 1/4	1 1/2	2	2 1/2	3	4	5	6	8	10	12	14	
L		108	117	127	140	165	178	190	203	229	254	267	292	330	356	381	
H		180	180	185	200	214	215	250	270	300	340	365	400	450	510	590	
W		400	400	500	500	600	600	820	820	300	300	320	320	350	380	380	
重量(Kg)Weight		10	12	14	17	19	21	29	33	48	75	98	98	171	230	370	
型号Model		X47W-300LB															
口径 Size	mm	15	20	25	32	40	50	65	80	100	125	150	200	250	300	350	
	in	1/2	3/4	1	1 1/4	1 1/2	2	2 1/2	3	4	5	6	8	10	12	14	
L		140	152	165	178	190	216	241	283	305	381	403	419	457	502	762	
H		180	180	185	200	210	215	250	270	300	340	365	400	450	510	590	
W		400	400	500	600	600	820	1000	1000	300	300	320	320	350	380	380	
重量(Kg)Weight		12	14	16	19	21	24	31	36	61	86	130	190	255	380	560	
型号Model		X47W-600LB															
口径 Size	mm	15	20	25	32	40	50	65	80	100	125	150	200	250	300	350	
	in	1/2	3/4	1	1 1/4	1 1/2	2	2 1/2	3	4	5	6	8	10	12	14	
L		165	190	216	229	241	292	330	356	432	508	559	660	787	838	889	
H		180	180	185	200	210	215	250	270	300	340	365	400	450	510	590	
W		400	400	500	500	600	600	820	820	300	300	320	320	350	380	380	
重量(Kg)Weight		14	16	18	20	24	29	35	47	91	129	210	320	660	920	1250	
型号Model		X47W-900LB															
口径 Size	mm	15	20	25	32	40	50	65	80	100	125	150	200	250	300	350	
	in	1/2	3/4	1	1 1/4	1 1/2	2	2 1/2	3	4	5	6	8	10	12	14	
L		229	229	254	279	305	368	419	381	457	559	610	737	838	965	1029	
H		180	180	185	200	210	215	250	270	300	340	365	400	450	510	590	
W		400	400	500	600	600	820	1000	1000	300	300	320	320	350	380	380	
重量(Kg)Weight		17	29	21	24	30	37	44	65	110	160	255	380	810	1050	1460	

注：六寸及以上为蜗杆操作6" or abovewith worm gear

法兰连接美标提升式硬密封旋塞阀
FLANGE-CONNECTION LIFTING PLUG VALVE ACC. TO ANSI

法兰连接美标提升式硬密封旋塞阀
FLANGE-CONNECTION LIFTING PLUG VALVE ACC. TO ANSI

立足阀门市场 信守质量承诺
Integrity let us root in the valve world.

产品结构特点 PRODUCT STRUCTURAL FEATURES

法兰连接美标提升式硬密封旋塞阀适用于公称压力CLASS150~1500LBS，工作温度-29~550℃的石油、化工、制药、化肥、电力行业等各种工况的管路上，切断或接通管路介质。

Flange-connection lifting plug valve acc. to ANSI is applicable to the cutting and connection of pipelines medium, in various industries such as petroleum, chemical industry, pharmacy, chemical fertilizer, power industry etc under nominal pressure of CLASS150~1500LBS, and working temperature of -29~550℃.

其主要结构特点 MAIN STRUCTURAL FEATURES

- 1/ 产品结构合理、密封可靠、性能优良、造型美观；
- 2/ 阀门的启闭过程是在密封面脱离的状态下进行的，不会造成密封面的磨损。
- 3/ 双向流动，安装使用更方便。
- 4/ 零件材质及法兰尺寸可根据实际工况或用户要求合理选配，满足各种工程需要。

- 1/ The product has reasonable structure, reliable sealing, excellent performance and beautiful appearance.
- 2/ Opening and closing of the valve is carried out while the sealed surface is breakaway, so it will not cause abrasion on the sealed surface.
- 3/ Its characteristic double-direction flow makes installation and use more convenient.
- 4/ The materials of the parts and sizes of flanges can be reasonably configured according to the actual operation condition or the requirements of the customers, so as to meet the various needs of engineering.

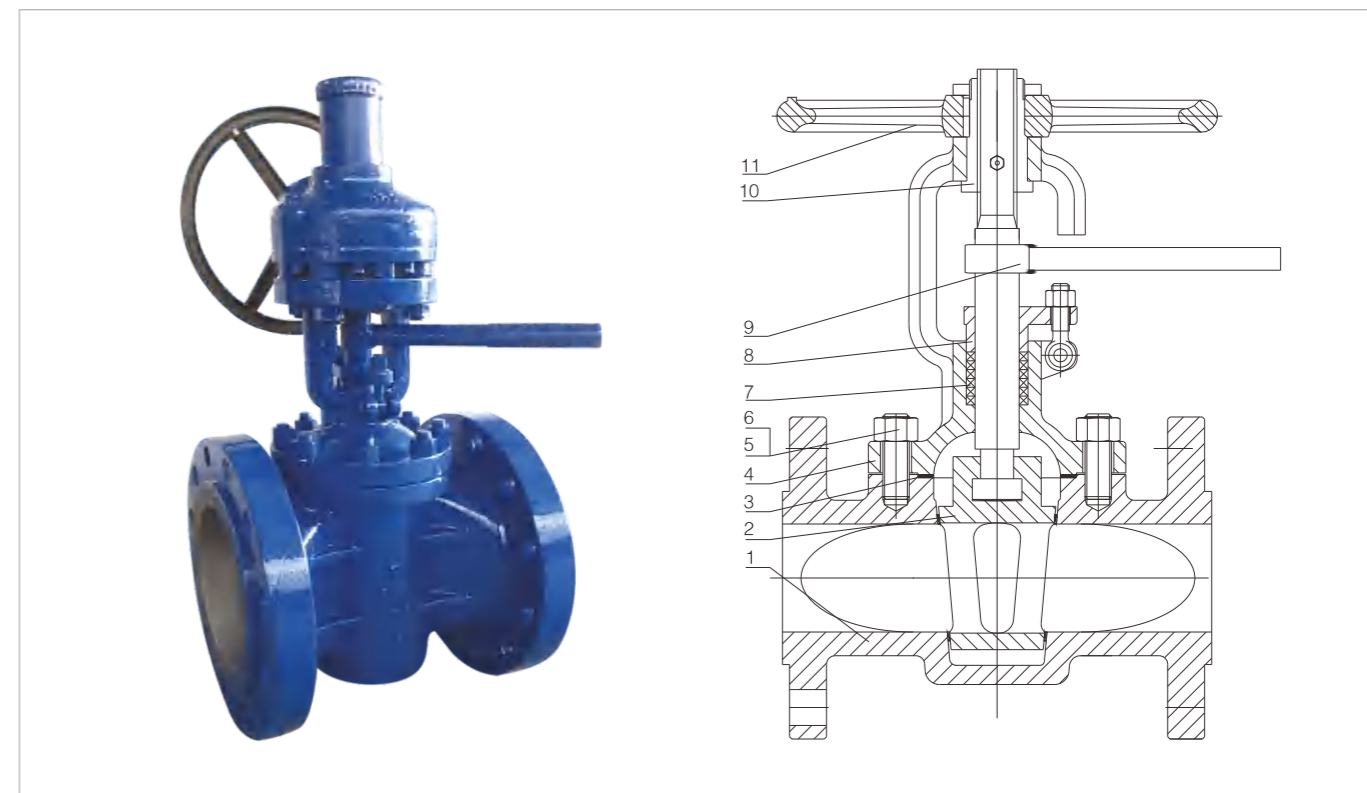
技术规范 TECHNICAL SPECIFICATION

结构形式 Structural formation	BC
驱动方式 Driving manner	BB-BG-OS&Y 手柄、伞齿轮、手柄 Handwheel、bevel gear wrench
设计标准 Design standard	API599、API6D
结构长度 Face to face	ASME B16.10
连接法兰 Flange ends	ASME B16.5
试验和检验 Test & inspection	API598、API6D

注：阀门连接法兰尺寸可根据用户要求设计制造。
Note: the size of valve connecting flange can be designed according to customers' requirement.

产品性能规范 PRODUCTS PERFORMANCE SPECIFICATION

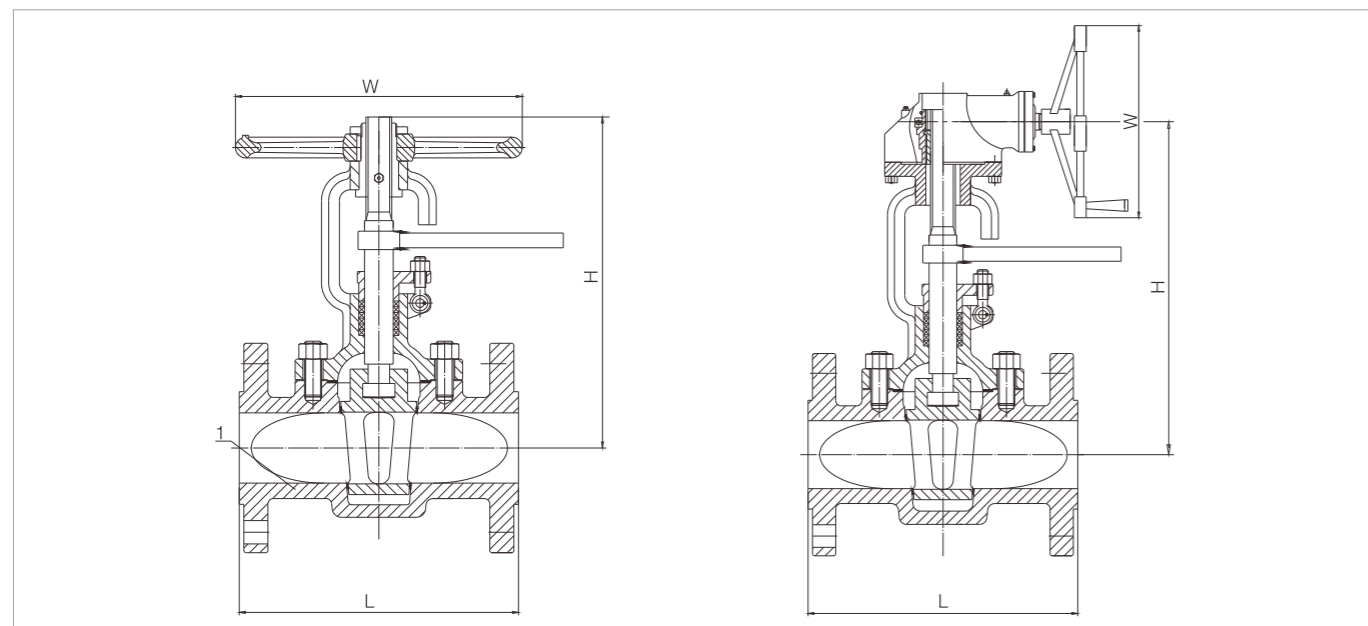
公称压力(LB) Nominal pressure	壳体试验压力(MPa) Shell test	密封试验压力(MPa) Sealing test	适用温度(°C) Suitable temp.	使用介质 Suitable medium
150	3.0	2.2	≤550℃	水、蒸汽、油品等 Water oil & gas
300	7.5	5.5		
600	15.0	11.0		



主要零部件材质 MAIN PARTS MATERIALS

序号NO.	名称 Part name	材质 Material
1	阀体 Body	ASTM A216-WCB、ASTM A217-WC1、WC6、WC9、C5 ASTM A351-CF8、CF8M、CF3、CF3M
2	塞子 Plug	ASTM A182-Gr.F6a、ASTM A182-F22 ASTM A182-F304、F316、F321、F304L、F316L
3	垫片 Gasket	柔性石墨+不锈钢 Flexible graphite+stainless steel、PTFE
4	阀盖 Cover	ASTM A216-WCB、ASTM A217-WC1、WC6、WC9、C5 ASTM A351-CF8、CF8M、CF3、CF3M
5	螺栓 Bolt	ASTMA193-B7、A320-B8、A193-B8M
6	六角螺母 Nut	ASTMA194-2H、A194-8、A194-8M
7	填料 Packing	柔性石墨 Flexible graphite、PTFE
8	填料压盖 Gland	ASTM A216-WCB、ASTM A217-WC1、WC6、WC9、C5 ASTM A351-CF8、CF8M、CF3、CF3M
9	手柄 Wrench	ASTM A216-WCB ASTM A351-CF8、CF8M、CF3、CF3M
10	阀杆螺母 Yoke nut	铜合金 ZQA19-4
11	手轮 Hand wheel	ASTM A536 Gr.60-40-18 ASTM A216-WCB

法兰连接美标提升式硬密封旋塞阀
FLANGE-CONNECTION LIFTING PLUG VALVE ACC. TO ANSI



型号Model		X43H-150LB														
口径 Size	mm	15	20	25	32	40	50	65	80	100	125	150	200	250	300	350
	in	1/2	3/4	1	1 1/4	1 1/2	2	2 1/2	3	4	5	6	8	10	12	14
L		108	117	127	140	165	178	190	203	229	254	267	292	330	356	381
H		190	195	225	260	280	310	340	395	435	470	535	590	630	680	720
W		280	280	280	300	300	300	300	300	300	340	400	450	450	500	500
重量(Kg)Weight		9	10	11	17	19	23	25	32	55	82	98	130	178	250	380
型号Model		X43H-300LB														
口径 Size	mm	15	20	25	32	40	50	65	80	100	125	150	200	250	300	350
	in	1/2	3/4	1	1 1/4	1 1/2	2	2 1/2	3	4	5	6	8	10	12	14
L		140	152	165	178	190	216	241	283	305	381	403	419	457	502	762
H		190	195	225	260	280	310	340	395	435	470	535	590	630	680	720
W		280	280	280	300	300	300	300	300	300	340	400	450	450	500	500
重量(Kg)Weight		10	12	14	19	21	28	34	39	75	95	135	200	255	415	650
型号Model		X43H-600LB														
口径 Size	mm	15	20	25	32	40	50	65	80	100	125	150	200	250	300	350
	in	1/2	3/4	1	1 1/4	1 1/2	2	2 1/2	3	4	5	6	8	10	12	14
L		165	190	216	229	241	292	330	356	432	508	559	660	787	838	889
H		190	195	225	260	280	310	340	395	435	470	535	590	630	680	720
W		280	280	280	300	300	300	300	300	300	340	400	450	450	500	500
重量(Kg)Weight		13	14	19	23	23	32	40	55	105	139	300	440	730	1150	1570

轨道旋塞阀(将军阀)
ORBIT PLUG VALVE (GENERAL VALVE)

立足阀门市场 信守质量承诺
Integrity let us root in the valve world.

产品结构特点 PRODUCT STRUCTURAL FEATURES

轨道旋塞阀(将军阀)将军阀适用于公称压力CLASS150~600LBS, 工作温度-29°C~100°C的石油、化工、制药、化肥、电力行业等各种工况的管路上, 切断或接通管路介质。

Orbit plug valve (general valve) is applicable to the cutting and connection of pipelines medium, in various industries such as petroleum, chemical industry, chemical fertilizer, power industry etc under nominal pressure of CLASS150~600LBS, and working temperature of -29°C~100°C.

其主要结构特点 MAIN STRUCTURAL FEATURES

- 1/ 产品结构合理、密封可靠、性能优良、造型美观;
 - 2/ 它的密封性是通过阀门四周的密封圈来实现的。独特的燕尾槽保证和固定密封圈。
 - 3/ 双向流动, 安装使用更方便。
 - 4/ 零件材质及法兰尺寸可根据实际工况或用户要求合理选配, 满足各种工程需要。
- 1/ The product has reasonable structure, reliable sealing, excellent performance and beautiful appearance.
2/ Its sealing is realized by the sealing rings of the valve disc. It has particular protection of swallow-tailed sink and fixed sealing rings.
3/ Its characteristic double-direction flow makes installation and use more convenient.
4/ The materials of the parts and sizes of flanges can be reasonably configured according to the actual operation condition or the requirements of the customers, so as to meet the various needs of engineering.

将军阀的工作原理 OPERATION PRINCIPLE OF GENERAL VALVE

当阀门全开的状态下, 塞子的通道与阀体的通道对齐, 能保证理想的最低压力降。当转动手轮, 塞子将朝关闭的方向转动, 同时带动阀片转动90度, 当继续转动手轮, 塞子将会下压, 使阀片的两侧张开, 阀片将紧紧的压在阀座上, 使阀门关闭。

当手轮向反方向转动时, 首先使塞子向上运动, 使阀片与阀座脱离, 继续转动手轮, 使塞子带动阀片转动90度, 最后塞子的通道与阀体的通道对齐, 使阀门处于全开的状态。

该阀门的优点是阀门在开启的关闭过程中, 阀片和阀座处于脱离状态, 关闭的过程是零摩擦, 不会使密封面磨损, 同时密封采用软密封, 使阀门在关闭时为零泄露。

When the valve is fully opened, the channel of plug is in alignment with the channel of valve body, which can ensure ideal and lowest pressure drop. When the hand wheel is turned, the plug will rotate toward the closing direction, and at the same time draft the rotation of valve disc by 90 degree. When the hand wheel is turned further on, the plug will be pressed down, and make the valve disc open to two sides, so that the valve disc will be in firm contact with the valve seat and close the valve.

When the hand wheel is turned inversely, first of all the plug will move upward, and the valve disc and valve seat will be separated, second the hand wheel shall be turned further on, till the valve disc is turned by 90 degree driven by the plug, finally the channel of plug will be in alignment with the channel of valve body, the valve is fully opened.

The advantage of this type valve is that there is no abrasion to the sealing face. Because during the opening and closing of valve, the disc and valve seat are separated, there is no friction between them. At the same time, the soft seal makes the valve zero leakage when valve closed.

技术规范 TECHNICAL SPECIFICATION

结构形式 Structural formation	BC
驱动方式 Driving manner	BB-BG 手柄、伞齿轮、电动 Handwheel、bevel gear、electric-actuated
设计标准 Design standard	API599、API6D
结构长度 Face to face	ASME B16.10
连接法兰 Flange ends	ASME B16.5
试验和检验 Test & inspection	API598、API 6D

注: 阀门连接法兰尺寸可根据用户要求设计制造。Note: the size of valve connecting flange can be designed according to customers' requirement.

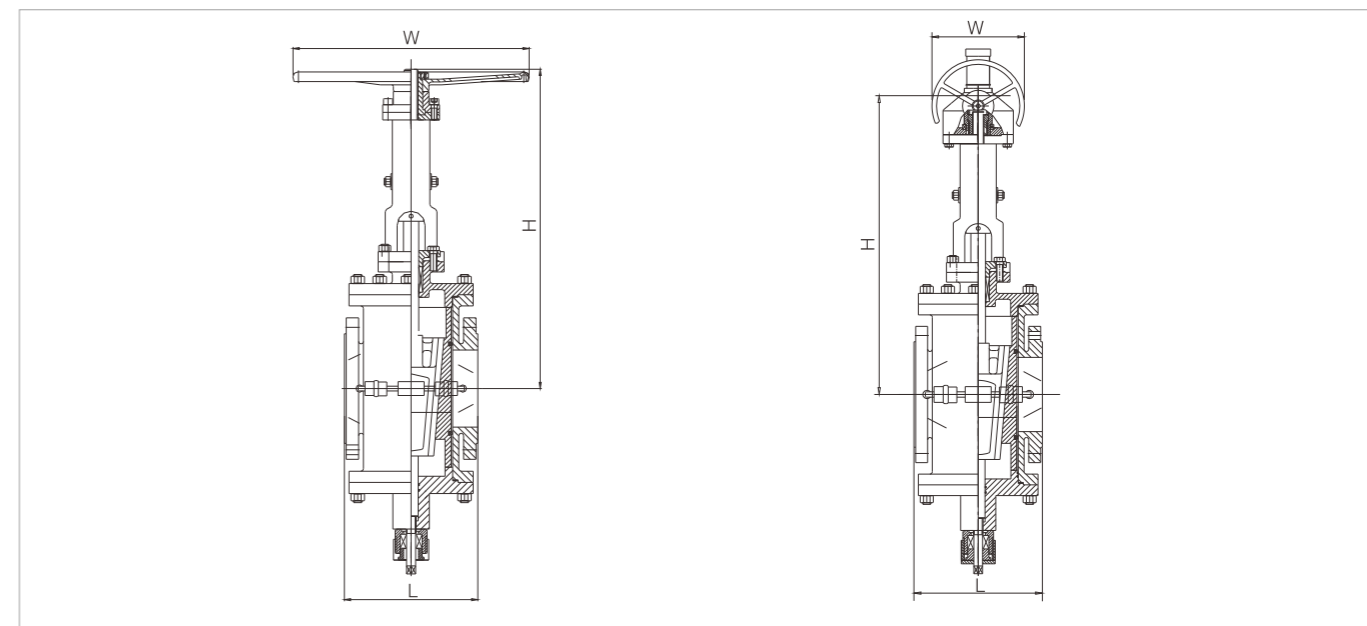
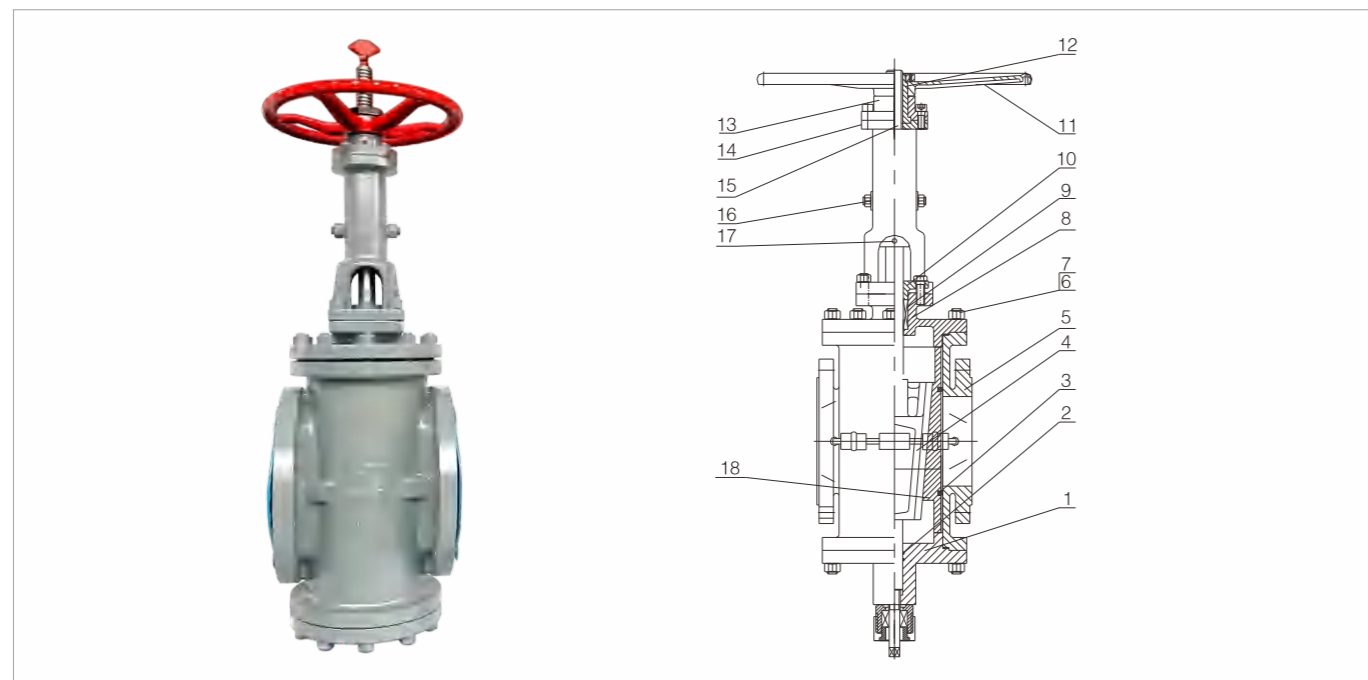
产品性能规范 PRODUCTS PERFORMANCE SPECIFICATION

公称压力(LB) Nominal pressure	壳体试验压力(MPa) Shell test	密封试验压力(MPa) Sealing test	适用温度(°C) Suitable temp.	使用介质 Suitable medium
150	3.0	2.2	≤80°C	水、蒸汽、油品等 Water oil & gas
300	7.5	5.5		
600	15.0	11.0		

轨道旋塞阀(将军阀)
ORBIT PLUG VALVE (GENERAL VALVE)

轨道旋塞阀(将军阀)
ORBIT PLUG VALVE (GENERAL VALVE)

立足阀门市场 信守质量承诺
Integrity let us root in the valve world.



主要零部件材质 MAIN PARTS MATERIALS

序号NO.	名称 Part name	材质 Material
1	下盖 Bottom	ASTM A216-WCB、ASTM A351-CF8、CF8M、CF3、CF3M
2	O型圈 O ring	丁腈橡胶 NBR、PTFE
3	密封圈 Sealing ring	氟橡胶 Viton、PTFE
4	塞子 Plug	ASTM A182-Gr.F6a、ASTM A182-F22、ASTM A351-CF8、CF8M、CF3、CF3M
5	阀体 Body	ASTM A216-WCB、ASTM A351-CF8、CF8M、CF3、CF3M
6	阀栓 Bolt	ASTM A193-B7、A320-B8、A193-B8M
7	六角螺母 Nut	ASTM A194-2H、A194-8、A194-8M
8	阀盖 Cover	ASTM A216-WCB、ASTM A351-CF8、CF8M、CF3、CF3M
9	填料 Packing	柔性石墨+不锈钢 Flexible graphite+stainless steel、PTFE
10	填料压盖 Gland	ASTM A216-WCB、ASTM A351-CF8、CF8M、CF3、CF3M
11	手轮 Handwheel	ASTM A536 Gr.60-40-18、A216-WCB
12	阀杆螺母 Yoke nut	铜合金、ZQA、19-4
13	阀杆螺母套 Yoke nut bushing	ASTM A216-WCB、ASTM A351-CF8、CF8M、CF3、CF3M
14	支架 Yoke	ASTM A216-WCB、ASTM A351-CF8、CF8M、CF3、CF3M
15	阀杆 Stem	ASTM A182-Gr.F6a、ASTM A182-F22、ASTM A351-CF8、CF8M、CF3、CF3M
16	导向螺栓 Guiding stud	ASTM A182-Gr.F6a、ASTM A182-F22、ASTM A351-CF8、CF8M、CF3、CF3M
17	销 Pin	ASTM A182-Gr.F6a、ASTM A182-F22、ASTM A351-CF8、CF8M、CF3、CF3M
18	阀片 Disc	ASTM A182-Gr.F6a、ASTM A182-F22、ASTM A351-CF8、CF8M、CF3、CF3M

型号Model		TG4X-150LB														
口径 Size	mm	15	20	25	32	40	50	65	80	100	125	150	200	250	300	350
	in	1/2	3/4	1	1 1/4	1 1/2	2	2 1/2	3	4	5	6	8	10	12	14
L		108	117	127	140	165	178	190	203	229	254	267	292	330	356	381
H		230	260	300	340	380	435	460	490	525	570	625	700	780	870	980
W		120	140	140	180	200	220	260	280	300	340	400	450	450	500	500
重量(Kg)Weight		10	12	18	25	29	34	39	50	65	95	135	210	275	350	605
型号Model		TG4X-300LB														
口径 Size	mm	15	20	25	32	40	50	65	80	100	125	150	200	250	300	350
	in	1/2	3/4	1	1 1/4	1 1/2	2	2 1/2	3	4	5	6	8	10	12	14
L		140	152	165	178	190	216	241	283	305	381	403	419	457	502	762
H		230	260	300	340	380	435	460	490	525	570	625	700	780	870	980
W		120	140	140	180	200	220	260	280	300	340	400	450	450	500	500
重量(Kg)Weight		11	13	20	27	31	37	44	60	82	115	165	225	305	405	650
型号Model		TG4X-600LB														
口径 Size	mm	15	20	25	32	40	50	65	80	100	125	150	200	250	300	350
	in	1/2	3/4	1	1 1/4	1 1/2	2	2 1/2	3	4	5	6	8	10	12	14
L		165	190	216	229	241	292	330	356	432	508	559	660	787	838	889
H		230	260	300	340	380	435	460	490	525	570	625	700	780	870	980
W		120	140	140	180	200	220	260	280	300	340	400	450	450	500	500
重量(Kg)Weight		13	15	22	29	34	41	54	68	99	128	191	258	430	650	870

美标卡套软密封旋塞阀
SLEEVE TYPE SOFT SEALING PLUG
VALVE ACC. TO ANSI

产品结构特点 PRODUCT STRUCTURAL FEATURES

美标卡套式软密封旋塞阀适用于公称压力CLASS150~300LBS, 工作温度-29°C~180°C的石油、化工、制药、化肥、电力行业等各种工况的管路上, 切断或接通管路介质。
Sleeve type soft sealing plug valve acc.to ANSI is applicable to the cutting and connection of pipelines medium in various industries such as petroleum, chemical industry, pharmacy, chemical fertilizer, power industry etc, under nominal pressure of CLASS150~300LBS,and working temperature of -29~180°C.

其主要结构特点 MAIN STRUCTURAL FEATURES

- 1/ 产品结构合理、密封可靠、性能优良、造型美观;
 - 2/ 它的密封性是通过卡套四周的密封面来实现的。独特的360° 金属唇边保证固定卡套。
 - 3/ 阀门没有空腔给介质积聚。
 - 4/ 金属唇边在旋塞转动时提供自洁的作用, 适合于粘稠和易结垢的工况。
 - 5/ 双向流动, 安装使用更方便。
 - 6/ 零件材质及法兰尺寸可根据实际工况或用户要求合理选配, 满足各种工程需要。
- 1/ The product has reasonable structure, reliable sealing, excellent performance and beautiful appearance.
 - 2/ Its sealing is realized by the sealing face of the sleeve. It has particular 360 degrees metal edge for protection and fixing of the sleeve.
 - 3/ There is no cavity in the valve for accumulation of medium.
 - 4/ Metal edge provides the function of self-cleaning when the plug is rotated, applicable to the operation condition that is glutinous and easy to scale.
 - 5/ Its characteristic double-direction flow makes installation and use more convenient.
 - 6/ The materials of the parts and sizes of flanges can be reasonably configured according to the actual operation condition of the requirements of the customers, so as to meet the various needs of engineering.

技术规范 TECHNICAL SPECIFICATION

结构形式 Structural formation	BC
驱动方式 Driving manner	手柄、蜗轮蜗杆传动、气动、电动 Wrench wheel, worm & worm gear, pneumatic, electric-actuated
设计标准 Design standard	API599、API6D
结构长度 Face to face	ASME B16.10
连接法兰 Flange ends	ASME B16.5
试验和检验 Test & inspection	API598、API6D

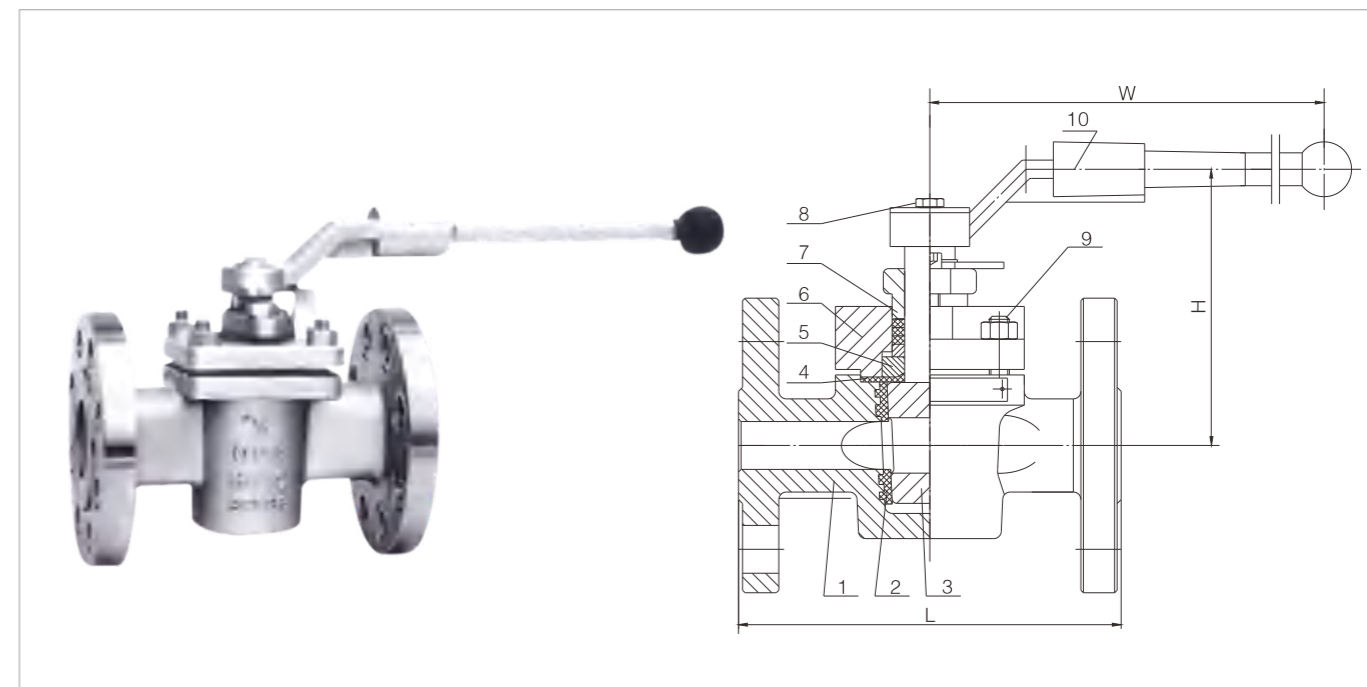
注: 阀门连接法兰尺寸可根据用户要求设计制造。
Note: the size of valve connecting flange can be designed according to customers' requirement.

产品性能规范 PRODUCTS PERFORMANCE SPECIFICATION

公称压力(LB) Nominal pressure	壳体试验压力(MPa) Shell test	密封试验压力(MPa) Sealing test	适用温度(°C) Suitable temp.	使用介质 Suitable medium
150	3.0	2.2	≤ 180°C	水、蒸汽、油品等 Water oil & gas
300	7.5	5.5		
600	15.0	11.0		
900	22.5	16.5		

美标卡套软密封旋塞阀
SLEEVE TYPE SOFT SEALING PLUG
VALVE ACC. TO ANSI

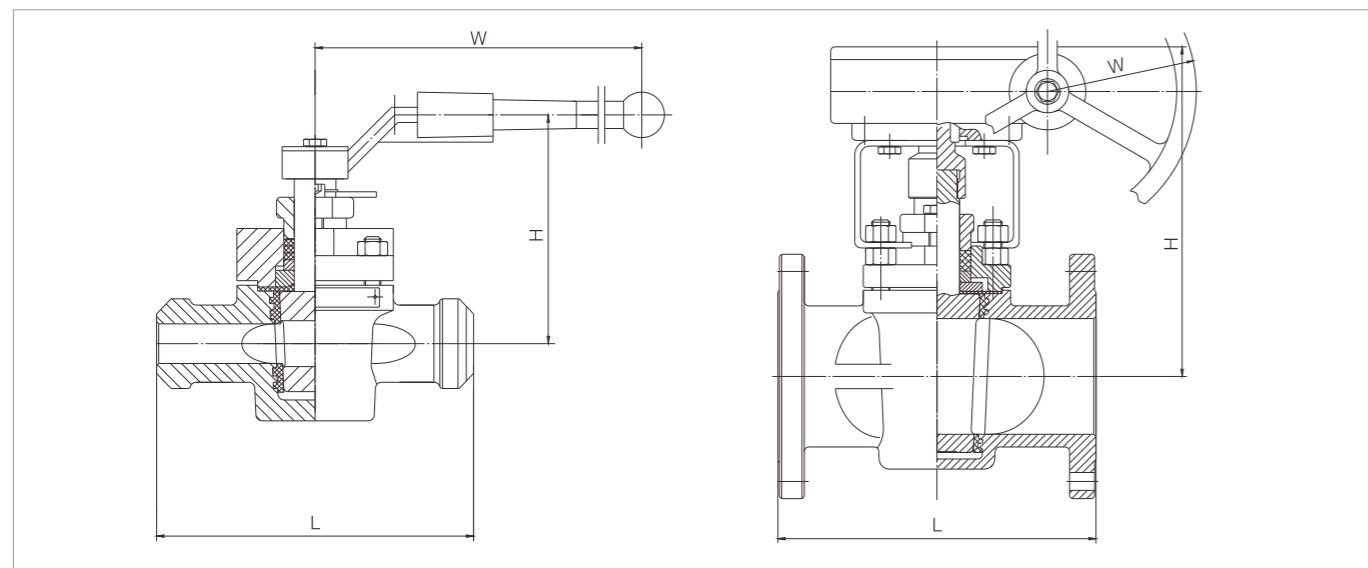
立足阀门市场 信守质量承诺
Integrity let us root in the valve world.



主要零部件材质 MAIN PARTS MATERIALS

序号NO.	名称Part name	材质 Material
1	阀体Body	ASTM A216-WCB, ASTM A217-WC1, WC6, WC9, C5 ASTM A351-CF8, CF8M, CF3, CF3M
2	卡套Sleeve	PTFE
3	塞子Plug	ASTM A182-Gr.F6a, ASTM A182-F22 ASTM A182-F304, F316, F321, F304L, F316L
4	垫片Gasket	柔性石墨 + 不锈钢 Flexible graphite+stainless steel, PTFE
5	调整垫Adjusting gasket	ASTM A182-Gr.F6a, ASTM A182-F22 ASTM A182-F304, F316, F321, F304L, F316L
6	阀盖Cover	ASTM A216-WCB, ASTM A217-WC1, WC6, WC9, C5 ASTM A351-CF8, CF8M, CF3, CF3M
7	填料压盖Gland	ASME A216-WCB, ASME A217-WC1, WC6, Wc9, C5, ASME A351 CF8, CF8M, CF3, CF3M
8	六角螺母Nut	ASTMA194-2H, A194-8, A194-8M
9	螺栓Bolt	ASTMA193-B7, A320-B8, A193-B8M
10	手柄Wrench	ASTM A216 WCB

美标卡套软密封旋塞阀
SLEEVE TYPE SOFT SEALING PLUG VALVE ACC. TO ANSI



型号Model		X43F-150LB														
口径 Size	mm	15	20	25	32	40	50	65	80	100	125	150	200	250	300	350
	in	1/2	3/4	1	1 1/4	1 1/2	2	2 1/2	3	4	5	6	8	10	12	14
L		108	117	127	140	165	178	190	203	229	254	267	292	330	356	381
H		110	115	115	135	140	150	165	180	380	460	520	580	620	680	760
W		175	175	175	220	280	305	350	405	300	300	320	320	350	380	450
重量(Kg)Weight		8.5	9.5	10.5	12	14	18	22	26	40	60	70	130	219	381	570
		X43F-300LB														
口径 Size	mm	15	20	25	32	40	50	65	80	100	125	150	200	250	300	350
	in	1/2	3/4	1	1 1/4	1 1/2	2	2 1/2	3	4	5	6	8	10	12	14
L		140	152	165	178	190	216	241	283	305	381	403	419	457	502	762
H		110	115	115	135	140	150	165	180	380	460	502	580	620	680	760
W		175	175	175	220	280	305	350	405	300	300	320	320	350	380	450
重量(Kg)Weight		9.5	10.5	12	14	16	24	24	29	53	75	85	185	230	390	550
		X43F-600LB														
口径 Size	mm	15	20	25	32	40	50	65	80	100	125	150	200	250	300	350
	in	1/2	3/4	1	1 1/4	1 1/2	2	2 1/2	3	4	5	6	8	10	12	14
L		165	190	216	229	241	292	330	356	432	508	559	660	787	838	889
H		110	115	115	135	140	150	165	180	380	460	520	580	620	680	760
W		175	175	175	220	280	305	350	405	300	300	320	320	350	380	450
重量(Kg)Weight		11	13	17	20	23	27	31	36	72	98	141	245	330	515	710

注：六寸及以上为蜗杆操作6" or above with worm gear

德标卡套软密封旋塞阀
SLEEVE TYPE SOFT SEALING PLUG VALVE ACC. TO DIN

立足阀门市场 信守质量承诺
Integrity let us root in the valve world.

产品结构特点 PRODUCT STRUCTURAL FEATURES

德标卡套软密封旋塞阀适用于公称压力PN1.6~16MPa，工作温度-29°C~180°C的石油、制药、化肥、电力行业等各种工况的管路上，切断或接通管路介质。
Sleeve type soft sealing plug valve acc. to ANSI is applicable to the cutting and connection of pipelines medium in various industries such as petroleum, chemical industry, pharmacy, chemical fertilizer, power industry etc, under nominal pressure of CLASS150~900LBS, and working temperature of -29~180°C.

其主要结构特点 MAIN STRUCTURAL FEATURES

- 1/ 产品结构合理、密封可靠、性能优良、造型美观；
 - 2/ 它的密封性是通过卡套四周的密封面来实现的。独特的360°金属唇边保证固定卡套。
 - 3/ 阀门没有空腔给介质积聚。
 - 4/ 金属唇边在旋塞转时提供自洁的作用，适合于粘稠和易结垢的工况。
 - 5/ 双向流动，安装使用更方便。
 - 6/ 零件材质及法兰尺寸可根据实际工况或用户要求合理选配，满足各种工程需要。
- 1/ The product has reasonable structure, reliable sealing, excellent performance and beautiful appearance.
 - 2/ Its sealing is realized by the sealing face of the sleeve. It has particular 360 degrees metal edge for ensure the fixing of the sleeve.
 - 3/ There is no cavity in the valve for accumulation of medium.
 - 4/ Metal edge provides the function of self-cleaning when the plug is rotated, applicable to the operation condition that is glutinous and easy to scale.
 - 5/ Its characteristic double-direction flow makes installation and use more convenient.
 - 6/ The materials of the parts and sizes of flanges can be reasonably configured according to the actual operation condition or the requirements of the customers, so as to meet the various needs of engineering.

技术规范 TECHNICAL SPECIFICATION

结构形式 Structural formation	BC
驱动方式 Driving manner	手柄、蜗轮蜗杆传动、气动、电动 Wrench wheel, worm & worm gear, pneumatic, electric-actuated
设计标准 Design standard	API599、API6D
结构长度 Face to face	DIN 3202F1
连接法兰 Flange ends	DIN 2543-2549
试验和检验 Test & inspection	DIN 3230

注：阀门连接法兰尺寸可根据用户要求设计制造。
Note: the size of valve connecting flange can be designed according to customers' requirement.

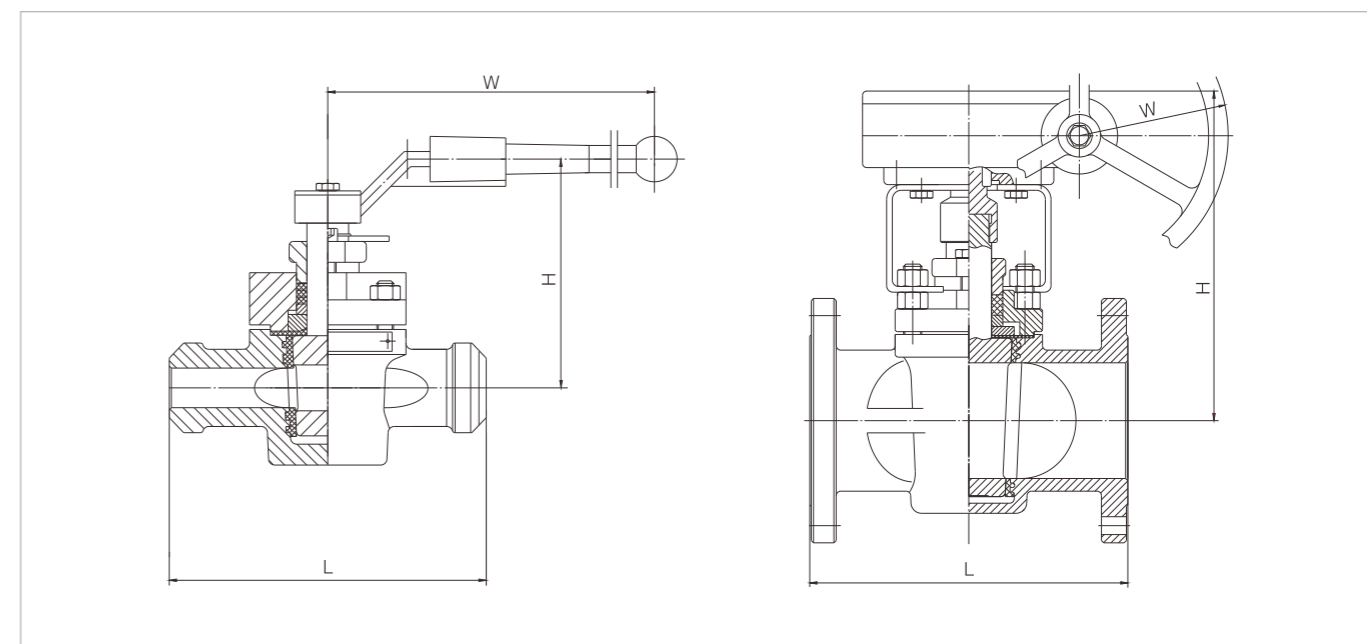
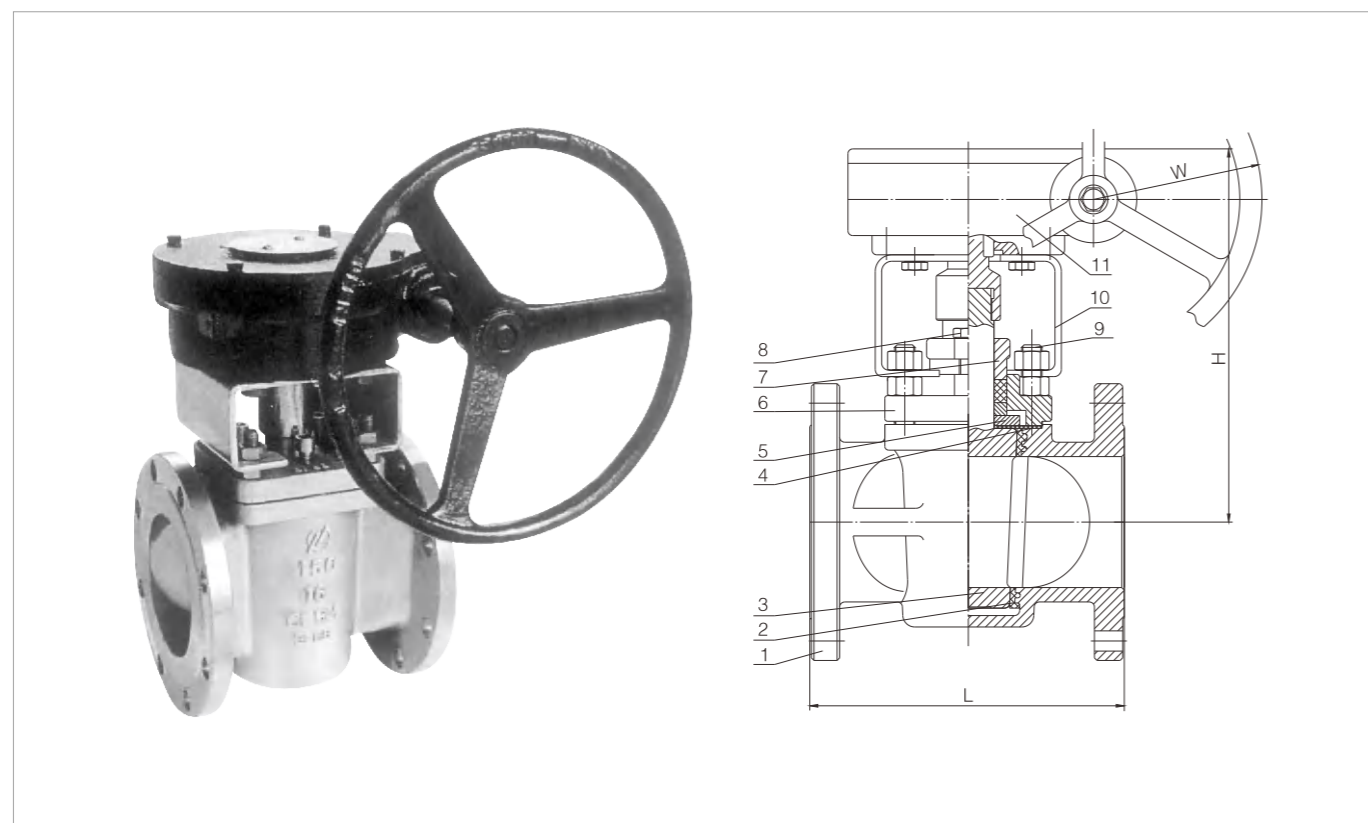
产品性能规范 PRODUCTS PERFORMANCE SPECIFICATION

公称压力(LB) Nominal pressure	壳体试验压力(MPa) Shell test	密封试验压力(MPa) Sealing test	适用温度(°C) Suitable temp.	使用介质 Suitable medium
1.6	2.4	1.76	≤180°C	水、蒸汽、油品等 Water oil & gas
2.5	3.75	2.75		
4.0	6.0	4.4		
6.4	9.6	7.04		

德标卡套软密封旋塞阀
SLEEVE TYPE SOFT SEALING PLUG
VALVE ACC. TO DIN

德标卡套软密封旋塞阀
SLEEVE TYPE SOFT SEALING PLUG
VALVE ACC. TO DIN

立足阀门市场 信守质量承诺
Integrity let us root in the valve world.



主要零部件材质 MAIN PARTS MATERIALS

序号NO.	名称 Part name	材质 Material
1	阀体 Body	GS-C25 1.7363 1.4308、1.4408、1.4306、1.4301
2	卡套 Sleeve	PTFE
3	塞子 Plug	ASTM A182-Gr.F6a、ASTM A182-F22 ASTM A182-F304、F316、F321、F304L、F316L
4	垫片 Gasket	柔性石墨+不锈钢 Flexible graphite+stainless steel、PTFE
5	调整垫片 Adjusting gasket	ASTM A182-Gr.F6a、ASTM A182-F22 ASTM A182-F304、F316、F321、F304L、F316L
6	阀盖 Cover	GS-C25 1.7363 1.4308、1.4408、1.4306、1.4301
7	填料压盖 Gland	GS-C251.7363、1.4308、1.4408、1.4306、1.4301
8	六角螺母 Nut	ASTMA194-2H、A194-8、A194-8M
9	螺栓 Bolt	ASTM A193-B7、A320-B8、A193-B8M
10	支架 Yoke	Q235、WCB
11	蜗轮 Worm	

型号Model	X43F-PN16															
口径 Size	15	20	25	32	40	50	65	80	100	125	150	200	250	300	350	
L	130	150	160	180	200	230	290	310	350	400	480	600	730	850	980	
H	150	155	160	180	190	200	220	230	380	460	520	580	620	680	740	
W	300	300	300	350	400	500	500	550	300	300	320	320	350	380	380	
重量(Kg)Weight	9	10	11	13	14	19	23	27	43	62	75	155	222	390	580	
型号Model	X43F-PN25															
口径 Size	15	20	25	32	40	50	65	80	100	125	150	200	250	300	350	
L	130	150	160	180	200	230	290	310	350	400	480	600	730	850	980	
H	150	155	160	180	190	200	220	230	380	460	520	580	620	680	740	
W	300	300	300	350	400	500	500	550	300	300	320	320	350	380	380	
重量(Kg)Weight	10	11	13	15	17	22	31	55	77	88	190	190	235	399	630	
型号Model	X43F-PN40															
口径 Size	15	20	25	32	40	50	65	80	100	125	150	200	250	300	350	
L	130	150	160	180	200	230	290	310	350	400	480	600	730	850	980	
H	190	195	225	260	280	310	340	395	435	470	535	590	630	680	720	
W	300	300	300	350	400	500	500	550	300	340	400	450	450	500	500	
重量(Kg)Weight	12	14	18	21	24	29	33	39	75	103	146	251	337	521	720	
型号Model	X43F-PN64															
口径 Size	15	20	25	32	40	50	65	80	100	125	150	200	250	300	350	
L	130	150	160	180	200	230	290	310	350	400	480	600	730	850	980	
H	190	195	225	260	280	310	340	395	435	470	535	590	630	680	720	
W	300	300	300	350	400	500	500	550	300	340	400	450	450	500	500	
重量(Kg)Weight	14	17	22	25	29	34	43	50	94	123	170	291	430	625	875	

注：六寸及以上为蜗杆操作6" or above with worm gear

三通、四通旋塞阀
3-WAY、4-WAY PLUG VALVE

产品结构特点 PRODUCT STRUCTURAL FEATURES

三通、四通旋塞阀适用于压力CLASS150~900LBS, PN1.0~16.0, 工作温度-29~180°C的石油、化工、制药、化肥、电力行业等各种工况的管路上, 多用于改变介质流动方向或进行介质分配。

3-way、4-way plug valve is applicable to change the media flowing direction or to distribute the media, in various industries such as petroleum, chemical industry, pharmacy, chemical fertilizer, power industry etc. Under nominal pressure class150~900lbs, PN1.0~16.0, working temperature -29°C~550°C.

其主要结构特点 MAIN STRUCTURAL FEATURES

- 1/ 产品结构合理、密封可靠、性能优良、造型美观;
 - 2/ 可根据管路工况要求, 设计成多种流通形式(如L型、T型等)、多种材质(如铸铁、铸铜、不锈钢)、多种密封形式(如硬密封、卡套密封、油密封等)的三通、四通旋塞阀。
 - 3/ 零件材质及法兰尺寸可根据实际工况或用户要求合理选配, 满足各种工程需要。
- 1/ The product has reasonable structure, reliable sealing, excellent performance and beautiful appearance.
2/ According to different conditions, the 3-way、4-way plug valve can be designed into diverse media flowing forms (eg. "L" type or "T" type), all kinds of material (eg. Iron、cast steel、stainless steel) and unlike sealing forms (eg. Metal to metal, sleeve type, lubricated, etc).
3/ The materials of the parts and sizes of flanges can be reasonably configured according to the actual operation condition or the requirements of the customers, so as to meet the various needs of engineering.

技术规范 TECHNICAL SPECIFICATION

结构形式 Structural formation	BC
驱动方式 Driving manner	手柄、蜗轮蜗杆传动、气动、电动 Wrench wheel, worm & worm gear, pneumatic, electric-actuated
设计标准 Design standard	API599, API6D, GB12240
结构长度 Face to face	ASME B16.10, GB12221, DIN3202
连接法兰 Flange ends	ASME B16.5, JB79, GB9113, DIN2543-2545
试验和检验 Test & inspection	API598, API6D, GB13927, DIN3230

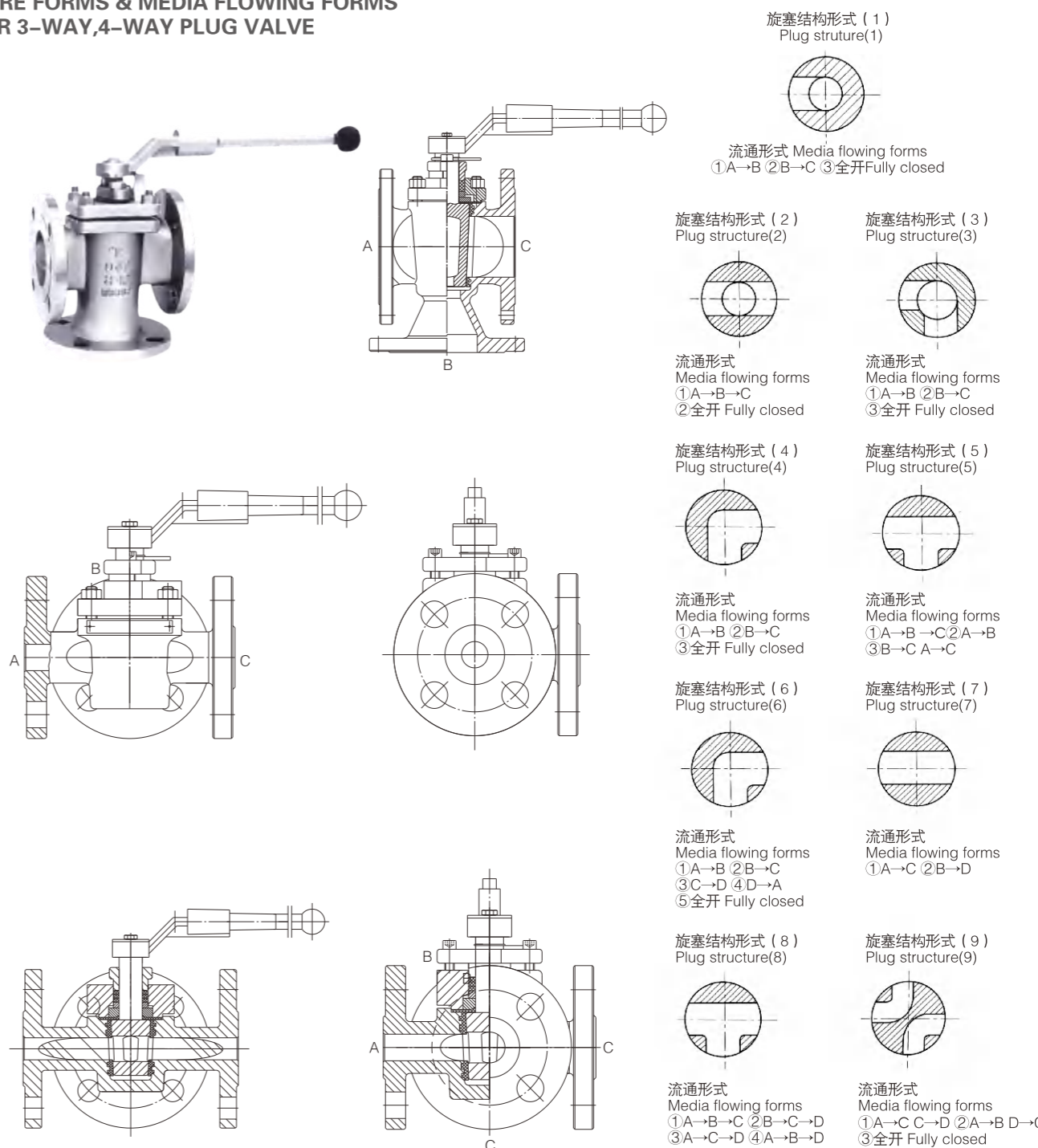
产品性能规范 PRODUCTS PERFORMANCE SPECIFICATION

公称压力(LB) Nominal pressure	壳体试验压力(MPa) Shell test	密封试验压力(MPa) Sealing test	公称压力(LB) Nominal pressure	壳体试验压力(MPa) Shell test	密封试验压力(MPa) Sealing test
150	3.0	2.2	1.6	2.4	1.76
300	7.5	5.5	2.5	3.75	2.75
600	15.0	11.0	4.0	6.0	4.4
900	22.5	16.5	6.4	9.6	7.04
			10.0	15.0	11.0
			16.0	24.0	17.6

三通、四通旋塞阀
3-WAY、4-WAY PLUG VALVE

立足阀门市场 信守质量承诺
Integrity let us root in the valve world.

三通、四通旋塞阀的几种通孔形式及介质流动形式
BORE FORMS & MEDIA FLOWING FORMS
FOR 3-WAY, 4-WAY PLUG VALVE



单（双）冲洗旋塞阀 PLUG VALVES WITH SINGLE OR DOUBLE FLUSH

产品结构特点 PRODUCT STRUCTURAL FEATURES

单（双）冲洗旋塞阀适用于公称压力CLASS150~300LBS，工作温度-29℃~180℃的石油、化工、制药、化肥、电力行业等各种工况的管路上，切断或接通管路介质。
Plug valves with single or double flush acc.to ANSI is applicable to the cutting and connection of pipelines medium in various industries such as petroleum, chemical industry, pharmacy, chemical fertilizer, power industry etc, under nominal pressure of CLASS150~300LBS, and working temperature of -29~180℃.

其主要结构特点 MAIN STRUCTURAL FEATURES

- 1/ 产品结构合理、密封可靠、性能优良、造型美观；
 - 2/ 它的密封性是通过卡套四周的密封面来实现的。独特的360°金属唇边保证固定卡套。
 - 3/ 阀门没有空腔给介质积聚。
 - 4/ 金属唇边在旋塞转时提供自洁的作用，适合于粘稠和易结垢的工况。
 - 5/ 双向流动，安装使用更方便。
 - 6/ 零件材质及法兰尺寸可根据实际工况或用户要求合理选配，满足各种工程需要。
- 1/ The product has reasonable structure, reliable sealing, excellent performance and beautiful appearance.
 - 2/ Its sealing is realized by the sealing face of the sleeve. It has particular 360 degrees metal edge for protection and fixing of the sleeve.
 - 3/ There is no cavity in the valve for accumulation of medium.
 - 4/ Metal edge provides the function of self-cleaning when the plug is rotated, applicable to the operation condition that is glutinous and easy to scale.
 - 5/ Its characteristic double-direction flow makes installation and use more convenient.
 - 6/ The materials of the parts and sizes of flanges can be reasonably configured according to the actual operation condition of the requirements of the customers, so as to meet the various needs of engineering.

技术规范 TECHNICAL SPECIFICATION

结构形式 Structural formation	BC
驱动方式 Driving manner	手柄、蜗轮蜗杆传动、气动、电动 Wrench wheel, worm & worm gear, pneumatic, electric-actuated
设计标准 Design standard	API599、API6D
结构长度 Face to face	ASME B16.10
连接法兰 Flange ends	ASME B16.5
试验和检验 Test & inspection	API598、API6D

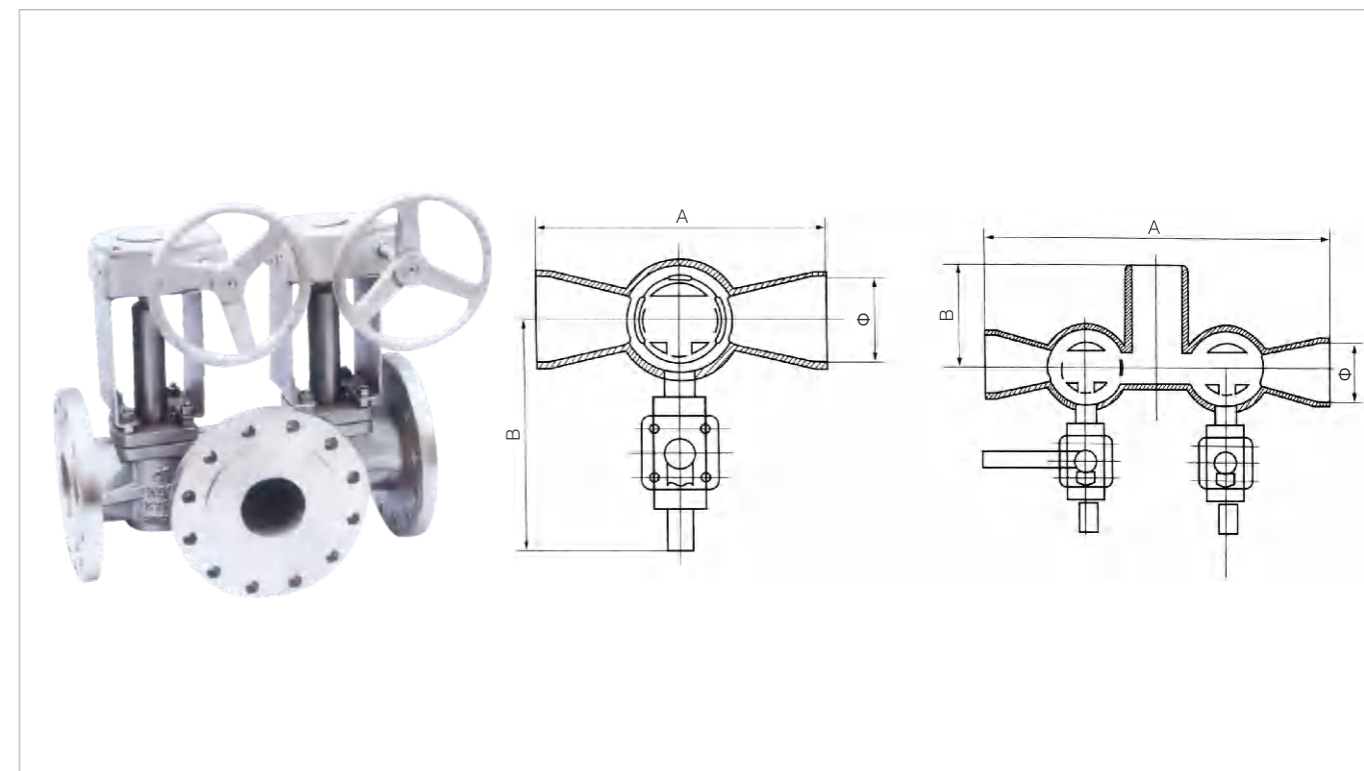
注：阀门连接法兰尺寸可根据用户要求设计制造。
Note: the size of valve connecting flange can be designed according to customers' requirement.

产品性能规范 PRODUCTS PERFORMANCE SPECIFICATION

公称压力(LB) Nominal pressure	壳体试验压力(MPa) Shell test	密封试验压力(MPa) Sealing test	适用温度(℃) Suitable temp.	使用介质 Suitable medium
150	3.0	2.2	≤ 180℃	水、蒸汽、油品等 Water oil & gas
300	7.5	5.5		
600	15.0	11.0		
900	22.5	16.5		

单（双）冲洗旋塞阀 PLUG VALVES WITH SINGLE OR DOUBLE FLUSH

立足阀门市场 信守质量承诺
Integrity let us root in the valve world.



技术规范 TECHNICAL SPECIFICATION

公称通径 NPS Nominal diameter(in)	150LB 单行洗 (SINGLE FLUSH)			公称通径 NPS Nominal diameter(in)	150LB 双行洗 (DOUBLE FLUSH)			
	A	B	Φ		A	B	C	Φ
2	216	278	54.8	2	432	115	278	54.8
3	305	278	82.8	3	585	140	293	82.8
4	356	293	108.2	4	686	150	308	108.2
6	432	308	161.5	6	842	200	320	161.5
8	508	320	211.6	8	970	270	270	211.6
10	572	333	264.7	10	1144	350	350	264.7
300LB 单行洗 (SINGLE FLUSH)					300LB 双行洗 (DOUBLE FLUSH)			
	A	B	Φ		A	B	C	Φ
2	216	278	54.8	2	432	115	278	54.8
3	305	278	82.8	3	585	140	293	82.8
4	356	293	108.2	4	686	150	308	108.2
6	432	308	161.5	6	842	200	320	161.5
8	508	320	211.6	8	970	270	270	211.6
10	572	333	264.7	10	1144	350	350	264.7

偏心旋塞阀
ECCENTRIC PLUG VALVE

产品结构特点 PRODUCT STRUCTURAL FEATURES

偏心旋塞阀适用于公称压力CLASS150~300LBS，工作温度-29°C~180°C的石油、化工、制药、化肥、电力行业等各种工况的管路上，切断或接通管路介质。
Eccentric Plug valve acc.to ANSI is applicable to the cutting and connection of pipelines medium in various industries such as petroleum, chemical industry, pharmacy, chemical fertilizer, power industry etc, under nominal pressure of CLASS150~300LBS, and working temperature of -29~180°C.

其主要结构特点 MAIN STRUCTURAL FEATURES

- 1/ 双偏心设计，低摩擦开启和关闭，确保零泄漏。
 - 2/ 含镍=90%，3mm厚的堆焊阀座，或高性能树脂阀座，能满足多种的耐腐蚀要求。
 - 3/ V型组合密封圈，可在不卸下操作装置的情况下进行更换。
 - 4/ 阀轴承为自润滑材料，无须加润滑脂，对阀轴磨损很小。
 - 5/ 旋塞体模压热包胶，无橡胶脱落和冲刷腐蚀的担忧。
 - 6/ 阀盖和阀体用O形圈密封，螺栓数量减少，方便维修。
 - 7/ 理想的线性曲线，可作为调节阀使用。
 - 8/ 提供阀门进出口压力表接头，方便用户控制和测定流量。
 - 9/ 直通流道，圆柱形阀体设计，沉积物不容易规格。
 - 10/ 开度显示和开度记忆，方便用户操作。
 - 11/ 可配置手动、电动、气动操作。
- 1/ Eccentric design, lower friction, zero leakage.
 - 2/ Welded-in stainless steel (90% nickel, thickness 3mm) or resin seat can meet corrosion resistance requirements of various medium.
 - 3/ V type sealing ring can be replaced on line without disassembling the operator.
 - 4/ Self-lubricated bearing provides very easy operation and low operation wearing.
 - 5/ Cast steel plug wholly covered with rubber, needn't worry about the rubber peeling, erosion and corrosion.
 - 6/ O-ring seals between bonnet and body, provide easy maintainance.
 - 7/ It has ideal linear curve, could be used as regulating valve.
 - 8/ Provide valve inlet and outlet pressure tapping, so as to control and measure flow.
 - 9/ Straight through flow design and cylindrical valve body can meet max. flow capacity requirements without deposits.
 - 10/ Opening indication provides easy operation.
 - 11/ Available for manual, pneumatic and electric actuator operation.

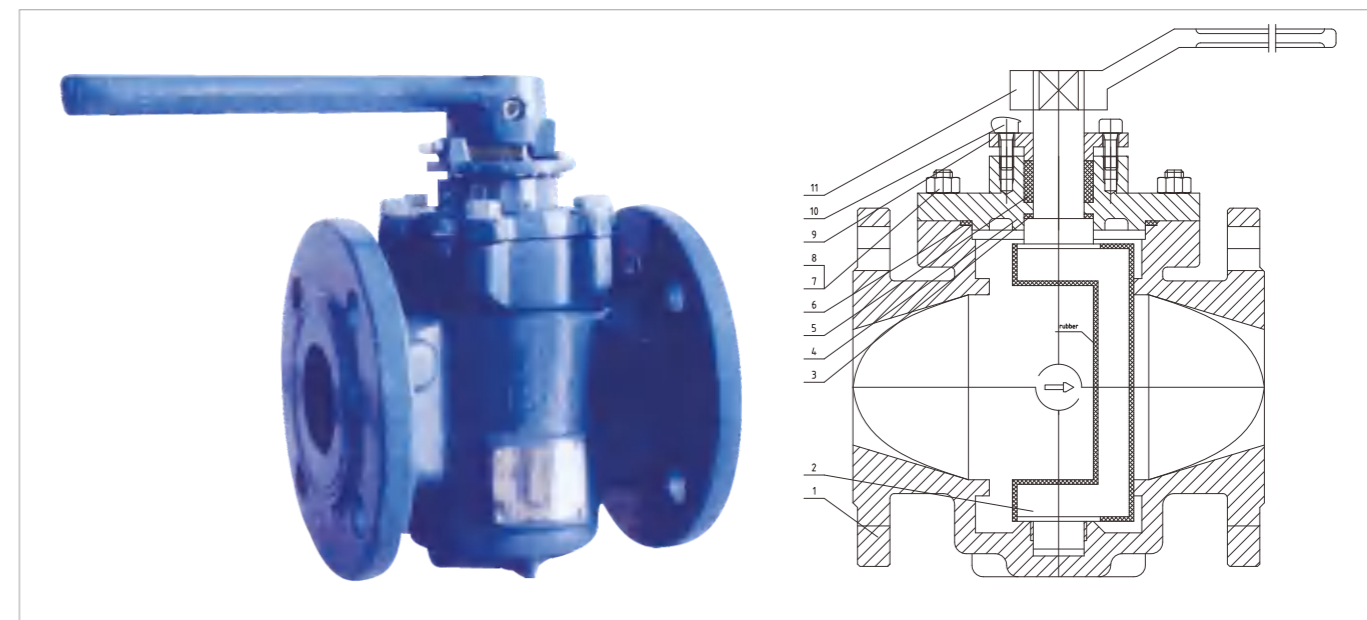
技术规范 TECHNICAL SPECIFICATION

结构形式 Structural formation	BC
驱动方式 Driving manner	手柄、蜗轮蜗杆传动、气动、电动 Wrench wheel, worm & worm gear, pneumatic, electric-actuated
设计标准 Design standard	API599, API6D, GB12240
结构长度 Face to face	ASME B16.10, GB12221, DIN3202
连接法兰 Flange ends	ASME B16.5, JB79, GB9113, DIN2543-2545 MSS-SP-108 GB/T17241.6
试验和检验 Test & inspection	API598, API6D, GB13927, DIN3230

注：阀门连接法兰尺寸可根据用户要求设计制造。
Note: the size of valve connecting flange can be designed according to customers' requirement.

偏心旋塞阀
ECCENTRIC PLUG VALVE

立足阀门市场 信守质量承诺
Integrity let us root in the valve world.



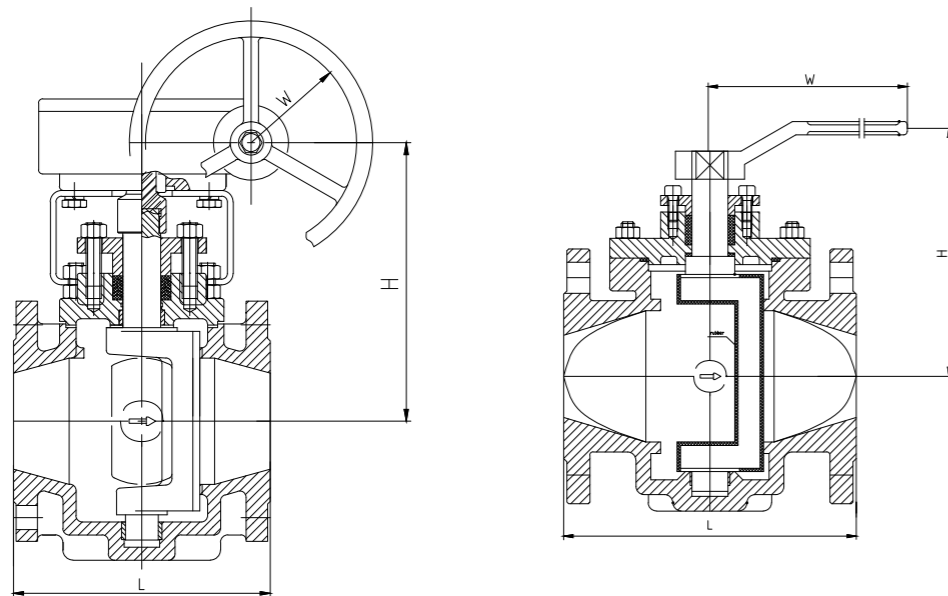
产品性能规范 PRODUCTS PERFORMANCE SPECIFICATION

公称压力(LB) Nominal pressure	壳体试验压力(MPa) Shell test	密封试验压力(MPa) Sealing test	公称压力(LB) Nominal pressure	壳体试验压力(MPa) Shell test	密封试验压力(MPa) Sealing test
150	3.0	2.2	1.6	2.4	1.76
300	7.5	5.5	2.5	3.75	2.75
			4.0	6.0	4.4

主要零部件材质 MAIN PARTS MATERIALS

序号NO.	名称 Part name	材质 Material
1	阀体 Body	A351 CF8M, CF3M, CF8, CF3, A216 WCB
2	塞子 Plug	A351 CF8, CF8M, CF3M, CF3, A216 WCB(+NBR/MITON)
3	垫片 Gasket	PTFE, PPL
4	阀盖 Cover	A351 CF8M, CF3M, CF8, CF3, A216 WCB
5	填料 Packing	Flexible Graphite, PTFE, PPL
6	垫片 Gasket	PTFE, PPL
7	螺栓 Bolt	ASTM A193-B7, A193-B8, A193-B8M
8	六角螺母 Nut	ASTM A194-2H, A193-8, A193-8M
9	填料压盖 Gland	A351 CF8M, CF3M, CF8, CF3, A216 WCB
10	螺栓 Bolt	ASTM A193-B7, A193-B8, A193-B8M
11	手轮 Handle	A216 WCB
12	底部轴承 Bottom Bearing	SS304, SS316

偏心旋塞阀
ECCENTRIC PLUG VALVE



型号Model		X43X-150LB														
口径 Size	mm	15	20	25	32	40	50	65	80	100	125	150	200	250	300	350
	in	1/2	3/4	1	1 1/4	1 1/2	2	2 1/2	3	4	5	6	8	10	12	14
L-RF		108	117	127	140	165	178	190	203	229	254	267	292	330	356	381
L-BW		152	178	208	216	229	267	305	330	356	381	394	457	533	610	686
H		59	63	75	95	107	142	152	178	252	272	342	398	495	580	625
W		400	400	500	500	600	600	820	820	300	300	320	320	350	380	380
重量(Kg)Weight		10	12	14	17	19	21	29	33	48	75	98	125	171	230	370
型号Model		X43X-300LB														
口径 Size	mm	15	20	25	32	40	50	65	80	100	125	150	200	250	300	350
	in	1/2	3/4	1	1 1/4	1 1/2	2	2 1/2	3	4	5	6	8	10	12	14
L-RF		140	152	165	178	190	216	241	283	305	381	403	419	457	502	762
L-BW		152	178	203	216	229	267	305	330	356	381	457	521	559	635	762
H		59	63	75	95	107	142	152	178	252	272	342	398	495	580	625
W		400	400	500	600	600	820	1000	1000	300	300	320	320	350	380	380
重量(Kg)Weight		12	14	16	19	21	24	31	36	61	86	130	190	255	380	560

全口径软密封旋塞阀
FULL BORE SOFT SEAL PLUG VALVE

立足阀门市场 信守质量承诺
Integrity let us root in the valve world.

产品结构特点 PRODUCT STRUCTURAL FEATURES

全口径旋塞阀适用于公称压力CLASS150~300LBS, 工作温度-29°C~180°C的石油、化工、制药、化肥、电力行业等各种工况的管路上, 切断或接通管路介质。
Full Bore Plug valve acc.to ANSI is applicable to the cutting and connection of pipelines medium in various industries such as petroleum, chemical industry, pharmacy, chemical fertilizer, power industry etc, under nominal pressure of CLASS150~300LBS, and working temperature of -29~180°C.

其主要结构特点 MAIN STRUCTURAL FEATURES

- 1/ 产品结构合理、密封可靠、性能优良、造型美观;
 - 2/ 它的密封性是通过卡套四周的密封面来实现的。独特的360°金属唇边保证固定卡套。
 - 3/ 阀门没有空腔给介质积聚。
 - 4/ 金属唇边在旋塞转时提供自洁的作用, 适合于粘稠和易结垢的工况。
 - 5/ 双向流动, 安装使用更方便。
 - 6/ 零件材质及法兰尺寸可根据实际工况或用户要求合理选配, 满足各种工程需要。
- 1/ The product has reasonable structure, reliable sealing, excellent performance and beautiful appearance.
 - 2/ Its sealing is realized by the sealing face of the sleeve. It has particular 360 degrees metal edge for protection and fixing of the sleeve.
 - 3/ There is no cavity in the valve for accumulation of medium.
 - 4/ Metal edge provides the function of self-cleaning when the plug is rotated, applicable to the operation condition that is glutinous and easy to scale.
 - 5/ Its characteristic double-direction flow makes installation and use more convenient.
 - 6/ The materials of the parts and sizes of flanges can be reasonably configured according to the actual operation condition of the requirements of the customers, so as to meet the various needs of engineering.

技术规范 TECHNICAL SPECIFICATION

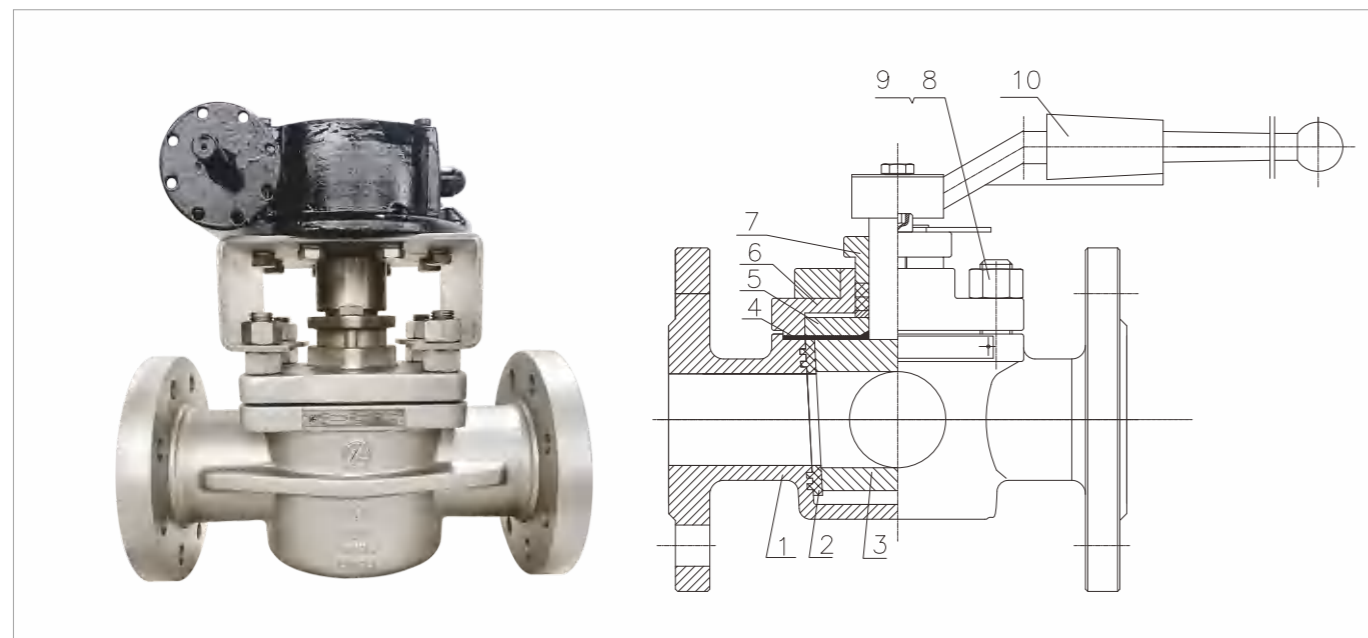
结构形式 Structural formation	BC
驱动方式 Driving manner	手柄、蜗轮蜗杆传动、气动、电动 Wrench wheel, worm & worm gear, pneumatic, electric-actuated
设计标准 Design standard	API599、API6D
结构长度 Face to face	ASME B16.10
连接法兰 Flange ends	ASME B16.5
试验和检验 Test & inspection	API598、API6D

注: 阀门连接法兰尺寸可根据用户要求设计制造。
Note: the size of valve connecting flange can be designed according to customers' requirement.

产品性能规范 PRODUCTS PERFORMANCE SPECIFICATION

公称压力(LB) Nominal pressure	壳体试验压力(MPa) Shell test	密封试验压力(MPa) Sealing test	适用温度(°C) Suitable temp.	使用介质 Suitable medium
150	3.0	2.2	≤ 180°C	水、蒸汽、油品等 Water oil & gas
300	7.5	5.5		
600	15.0	11.0		

全口径软密封旋塞阀
FULL BORE SOFT SEAL PLUG VALVE

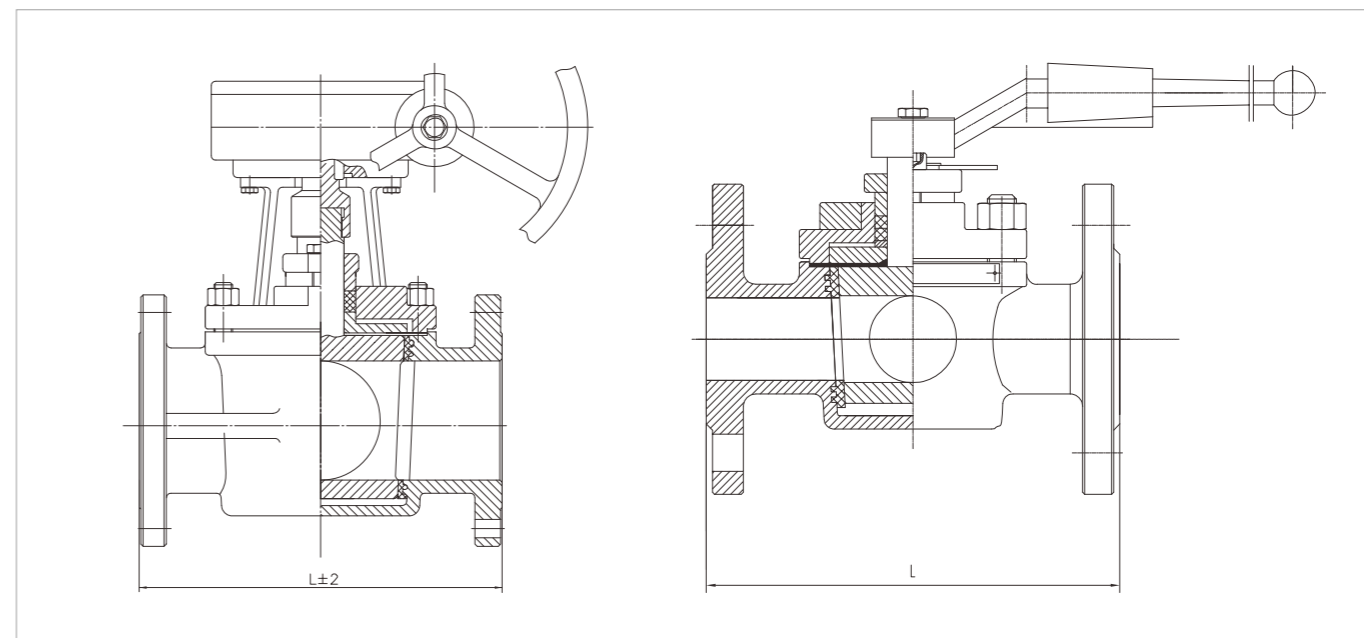


主要零部件材质 MAIN PARTS MATERIALS

序号NO.	名称Part name	材质 Material
1	阀体Body	ASTM A216-WCB, ASTM A217-WC1, WC6, WC9, C5 ASTM A351-CF8, CF8M, CF3, CF3M
2	卡套Sleeve	PTFE
3	塞子Plug	ASTM A182-Gr.F6a, ASTM A182-F22 ASTM A182-F304, F316, F321, F304L, F316L
4	垫片Gasket	柔性石墨+不锈钢 Flexible graphite+stainless steel, PTFE
5	调整垫Adjusting gasket	ASTM A182-Gr.F6a, ASTM A182-F22 ASTM A182-F304, F316, F321, F304L, F316L
6	阀盖Cover	ASTM A216-WCB, ASTM A217-WC1, WC6, WC9, C5, ASTM A351-CF8, CF8M, CF3, CF3M
7	填料压盖Gland	ASME A216-WCB, ASME A217-WC1 WC6 Wc9, C5 ASME A351 CF8, CF8M, CF3, CF3M
8	六角螺母Nut	ASTMA194-2H, A194-8, A194-8M
9	螺栓Bolt	ASTMA193-B7, A320-B8, A193-B8M
10	手柄Wrench	ASTM A216 WCB

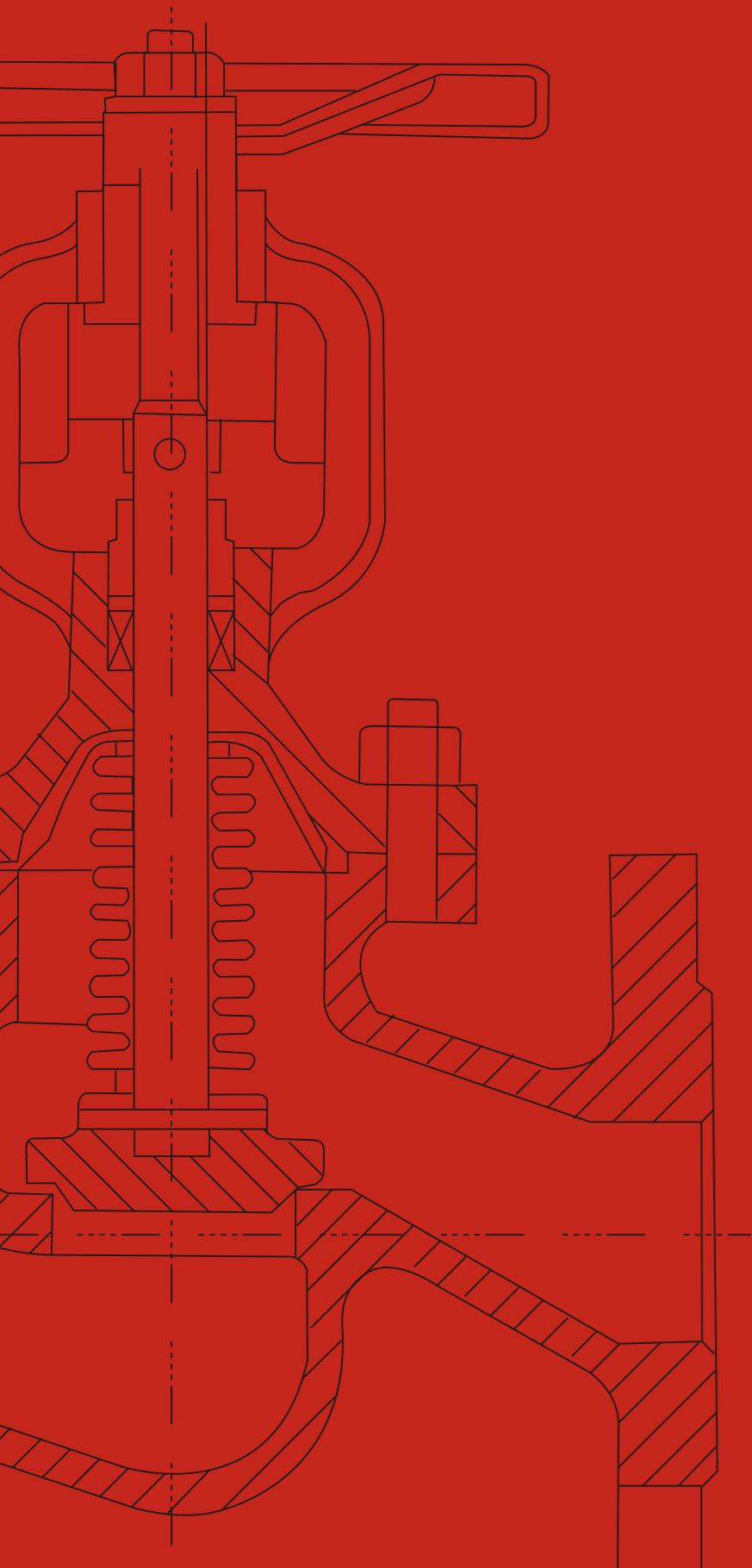
全口径软密封旋塞阀
FULL BORE SOFT SEAL PLUG VALVE

立足阀门市场 信守质量承诺
Integrity let us root in the valve world.



型号Model		QX43F-150LB													
口径 Size	mm	15	20	25	40	50	65	80	100	125	150	200	250	300	350
	in	1/2	3/4	1	1 1/2	2	2 1/2	3	4	5	6	8	10	12	14
L		108	117	176	222	267	298	343	432	457	546	622	660	762	838
H		110	115	115	140	150	165	180	380	460	520	580	620	680	760
W		175	175	175	280	305	350	405	300	300	320	320	350	380	450
重量(Kg)Weight		8.5	9.5	10.5	14	18	22	26	40	60	70	130	219	381	570
型号Model		QX43F-300LB													
口径 Size	mm	15	20	25	40	50	65	80	100	125	150	200	250	300	350
	in	1/2	3/4	1	1 1/2	2	2 1/2	3	4	5	6	8	10	12	14
L		140	152	190	241	283	330	387	457	483	559	686	826	965	1010
H		110	115	115	140	150	165	180	380	460	502	580	620	680	760
W		175	175	175	280	305	350	405	300	300	320	320	350	380	450
重量(Kg)Weight		9.5	10.5	12	16	20	24	29	75	75	85	185	230	390	550
型号Model		QX43F-600LB													
口径 Size	mm	15	20	25	40	50	65	80	100	125	150	200	250	300	350
	in	1/2	3/4	1	1 1/2	2	2 1/2	3	4	5	6	8	10	12	14
L		165	190	254	318	330	381	444	508	559	660	794	940	1067	1194
H		110	115	115	140	150	165	180	380	460	520	580	620	680	160
W		175	175	175	280	305	350	300	300	300	320	320	350	380	450
重量(Kg)Weight		11	13	17	23	27	31	72	72	98	141	245	330	515	710

注：四寸及以上为蜗杆操作4" or above with worm gear



BELLOW VALVE SERIES

波纹管阀门系列

德标波纹管截止阀

STOP VALVE BELLOW SEAL ACC.TO DIN

产品结构特点 PRODUCT STRUCTURAL FEATURES

德标波纹管截止阀适用于公称压力PN1.6~16MPa，工作温度-29~350℃的石油、化工、制药、化肥、电力行业等各种工况的管路上，切断或接通管路介质。

Stop valve bellow seal acc. to DIN is applicable to the cutting and connection of pipelines medium in various industries such as petroleum, chemical industry, pharmacy, chemical fertilizer, electric power industry etc, under nominal pressure of PN1.6~16MPa and working temperature of -29~350℃.

其主要结构特点 MAIN STRUCTURAL FEATURES

- 1/ 产品结构合理、密封可靠、性能优良、造型美观；
 - 2/ 密封面堆焊Co基硬质合金、耐磨、耐腐、抗摩擦性能好、使用寿命长；
 - 3/ 阀杆调质及表面氮化处理，有良好的抗腐和抗摩擦性能；
 - 4/ 双重密封，性能更可靠；
 - 5/ 阀杆升降位置指示，更直观；
 - 6/ 零件材质，法兰和对焊端尺寸可根据实际工况或用户要求合理选配，满足各种工程需要。
- 1/ The product has logical structure, reliable seal, excellent performance and nice design.
 - 2/ The seal surface is build-up welding with Co hard alloy, which is attrition-resistant, corrosion-resistant, has good friction resistant and long life.
 - 3/ The stem is quenched and tempered, and its surface is treated by nitriding treatment, thus it has good corrosion resistant and friction resistant.
 - 4/ It has double seal capability, thus it's more reliable.
 - 5/ The stem show the position of lift, thus it is more visualized.
 - 6/ The part material, flange and butt weld end dimension may be selected according to current operating condition and Users' requirement, so that meet the requirements of various engineering.

技术规范 TECHNICAL SPECIFICATION

结构形式 Structural formation	BB-BG-OS & Y
驱动方式 Driving manner	手动 Hand-operated 电动 Electric-actuated
设计标准 Design standard	DIN3356
结构长度 Face to face	DIN3202
连接法兰 Flange ends	DIN2543-2545
试验和检验 Test & inspection	DIN3230

产品性能规范 PRODUCTS PERFORMANCE SPECIFICATION

公称压力(LB) Nominal pressure	壳体试验压力(MPa) Shell test	密封试验压力(MPa) Sealing test	适用温度(℃) Suitable temp.	使用介质 Suitable medium
1.6	2.4	1.76	≤350℃	水、蒸汽、油品等 Water oil & gas
2.5	3.75	2.75		
4.0	6.0	4.4		
6.4	9.6	7.04		

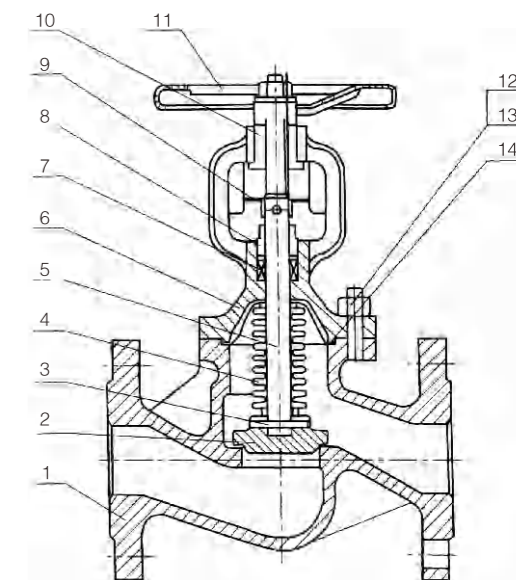
德标波纹管截止阀

STOP VALVE BELLOW SEAL ACC.TO DIN

立足阀门市场 信守质量承诺
Integrity let us root in the valve world.



德标波纹管截止阀
stop valve bellow seal acc.to DIN

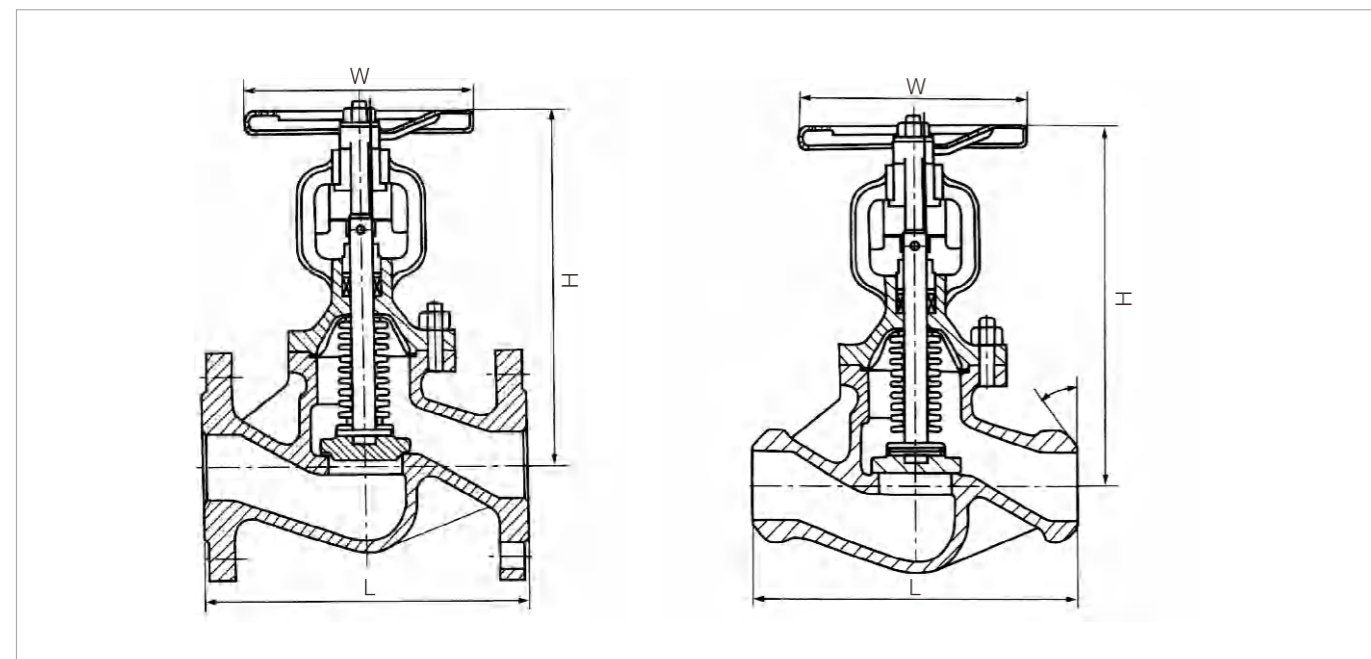


主要零部件材质 MAIN PARTS MATERIALS

序号NO.	名称 Part name	材质 Material
1	阀体 Body	GS-C25, 1.7363 1.4308, 1.4408, 1.4306, 1.4301
2	阀瓣 Disc	ASTM A182-Gr.F6a, ASTM A182-F22 ASTM A182-F304, F316, F321, F304L, F316L
3	轴销 Pin	ASTM A182-Gr.F6a, ASTM A182-F22 ASTM A182-F304, F316, F321, F304L, F316L
4	波纹管组件 Bellow assemble	1Cr18Ni9T, 304, 316
5	阀杆 Stem	ASTM A182-Gr.F6a, ASTM A182-F22 ASTM A182-F304, F316, F321, F304L, F316L
6	阀盖 Bonnet	GS-C25, 1.7363 1.4308, 1.4408, 1.4306, 1.4301
7	填料 Packing	柔性石墨 Flexible graphite, PTFE
8	填料压盖 Gland	GS-C25, 1.7363 1.4308, 1.4408, 1.4306, 1.4301
9	定位片 Guide piece	25, 45, 304, 316
10	阀杆螺母 Yoke nut	铜合金, ZQA, 19-4
11	手轮 Handwheel	WCB, QT400-18
12	双头螺栓 Bolt	ASTM A193-B7, A193-B8, A193-B8M
13	六角螺母 Nut	ASTM A194-2H, A194-8, A194-8M
14	垫片 Gasket	柔性石墨+不锈钢 Flexible graphite+stainless steel, PTFE

德标波纹管截止阀

STOP VALVE BELLOW SEAL ACC.TO DIN



型号Model	DWJ41-16														
口径 Size	15	20	25	32	40	50	65	80	100	125	150	200	250	300	350
L	130	150	160	180	200	230	290	310	350	400	480	600	730	850	980
H	195	200	220	225	235	250	260	265	370	400	515	550	600	630	680
W	130	130	130	130	150	150	180	180	200	200	400	450	450	500	500
重量(Kg)Weight	4	4.5	5	7	9	12.5	18	23	41	54	90	160	260	410	610
型号Model	DWJ41-25														
口径 Size	15	20	25	32	40	50	65	80	100	125	150	200	250	300	350
L	130	150	160	180	200	230	290	310	350	400	480	600	730	850	980
H	195	200	220	225	235	250	260	265	370	400	515	550	600	630	680
W	130	130	130	130	150	150	180	180	200	200	400	450	450	500	450
重量(Kg)Weight	4	4.5	5	7.5	9.5	13	19	24	43	57	95	168	300	510	680
型号Model	DWJ41-40														
口径 Size	15	20	25	32	40	50	65	80	100	125	150	200	250	300	350
L	130	150	160	180	200	230	290	310	350	400	480	600	730	850	980
H	195	200	220	225	235	250	260	265	370	400	515	550	600	630	680
W	130	130	130	130	150	150	180	180	200	200	400	450	450	500	500
重量(Kg)Weight	4	4.5	5	8	10	13.5	20	25	45	60	98	171	340	580	780

美标波纹管截止阀

STOP VALVE BELLOW SEAL ACC.TO ANSI

立足阀门市场 信守质量承诺
Integrity let us root in the valve world.

产品结构特点 PRODUCT STRUCTURAL FEATURES

美标波纹管截止阀适用于公称压力CLASS150-900LBS, 工作温度-29-350℃的石油、化工、制药、化肥、电力行业等各种工况的管路上, 切断或接通管路介质。

Stop valve with bellow seal acc. to ANSI is applicable to the cutting and connection of pipelines medium in various industries such as petroleum, chemical in dustry, pharmacy, chemical fertilizer, electric power industry etc, under nominal pressure of CLASS150-900LBS and working temperature of -29-350℃.

其主要结构特点 MAIN STRUCTURAL FEATURES

- 1/ 产品结构合理、密封可靠、性能优良、造型美观;
 - 2/ 密封面堆焊Co基硬质合金、耐磨、耐腐、抗摩擦性能好、使用寿命长;
 - 3/ 阀杆调质及表面氮化处理, 有良好的抗腐和抗摩擦性能;
 - 4/ 双重密封, 性能更可靠;
 - 5/ 阀杆升降位置指示, 更直观;
 - 6/ 零件材质, 法兰和对焊端尺寸可根据实际工况或用户要求合理选配, 满足各种工程需要。
- 1/ The product has logical structure, reliable seal, excellent performance and nice design.
 - 2/ The seal surface is build-up welding with Co hard alloy, which is attrition-resistant, corrosion-resistant, has good friction resistant and long life.
 - 3/ The stem is quenched and tempered, and its surface is treated by nitriding treatment, thus it has good corrosion resistant and friction resistant.
 - 4/ It has double seal capability, thus it's more reliable.
 - 5/ The stem show the position of lift, thus it is more visualized .
 - 6/ The part material, flange and butt weld end dimension may be selected according to current operating condition and Users' requirement, so that meet the requirements of various engineering.

技术规范 TECHNICAL SPECIFICATION

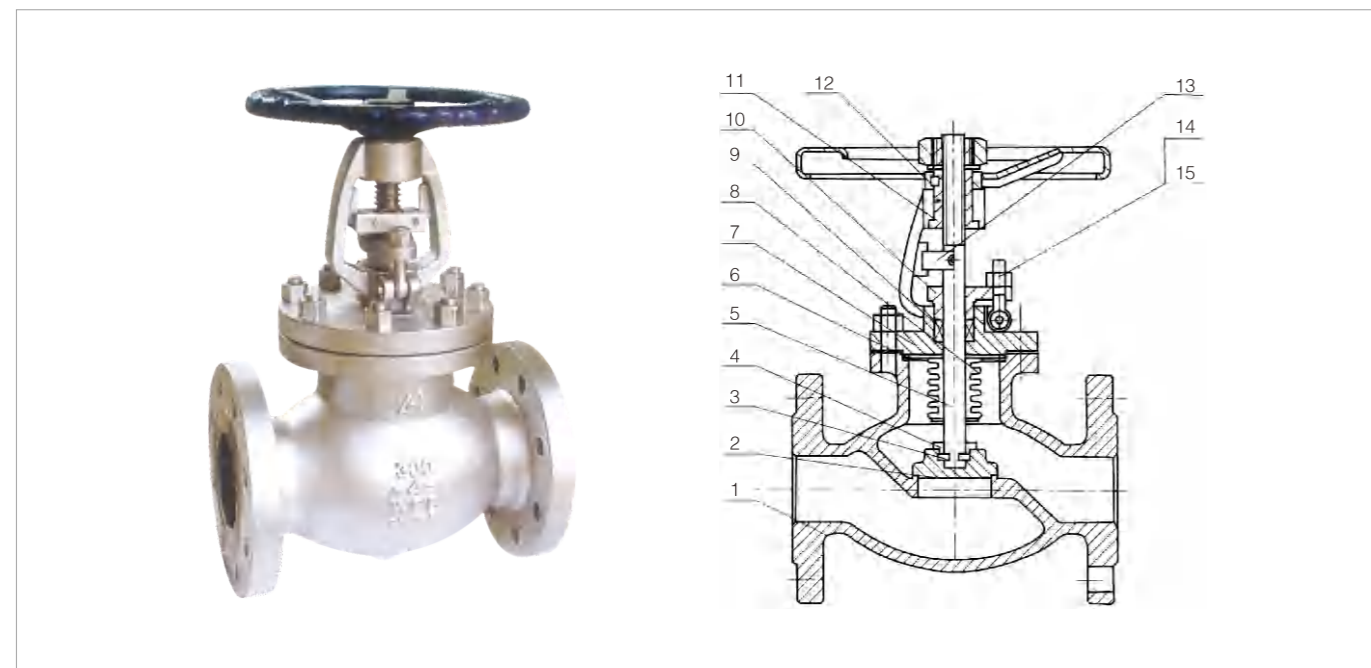
结构形式 Structural formation	BB-BG-OS & Y
驱动方式 Driving manner	手动 Hand-operated 电动 Electric-actuated
设计标准 Design standard	AMSE B16.10、BS1873
结构长度 Face to face	ASTM B16.10
连接法兰 Flange ends	ASTM B16.5
试验和检验 Test & inspection	API598

产品性能规范 PRODUCTS PERFORMANCE SPECIFICATION

公称压力(LB) Nominal pressure	壳体试验压力(MPa) Shell test	密封试验压力(MPa) Sealing test	适用温度(℃) Suitable temp.	使用介质 Suitable medium
150	3.0	2.2	≤350℃	水、蒸汽、油品等 Water oil & gas
300	7.5	5.5		
600	15.0	11.0		
900	22.5	16.5		

美标波纹管截止阀

STOP VALVE BELLOW SEAL ACC.TO ANSI



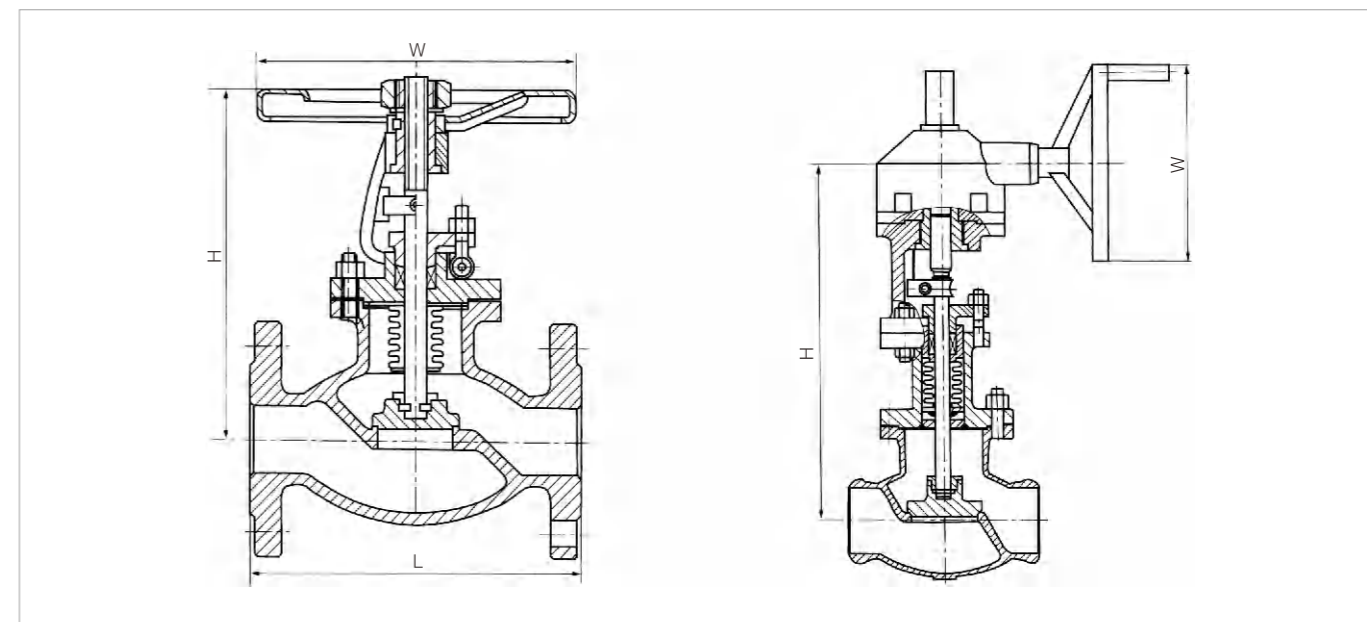
主要零部件材质 MAIN PARTS MATERIALS

序号NO.	名称 Part name	材质 Material
1	阀体 Body	ASTM A216-WCB、ASTM A217-WC1、WC6、WC9、C5 ASTM A351-CF8、CF8M、CF3、CF3M
2	阀瓣 Disc	ASTM A182-Gr.F6a、ASTM A182-F22 ASTM A182-F304、F316、F321、F304L、F316L
3	对开圆环 Split ring	ASTM A182-Gr.F6a、ASTM A182-F22 ASTM A182-F304、F316、F321、F304L、F316L
4	阀瓣盖 Disc bushing	ASTM A182-Gr.F6a、ASTM A182-F22 ASTM A182-F304、F316、F321、F304L、F316L
5	阀杆 Stem	ASTM A182-Gr.F6a、ASTM A182-F22 ASTM A182-F304、F316、F321、F304L、F316L
6	垫片 Gasket	柔性石墨+不锈钢 Flexible graphite+stainless steel、PTFE
7	阀盖 Bonnet	ASTM A216-WCB、ASTM A217-WC1、WC6、WC9、C5 ASTM A351-CF8、CF8M、CF3、CF3M
8	波纹管组件 Bellow assemble	ASTM A182-F304、F316、F321、F304L、F316L
9	填料 Packing	柔性石墨 Flexible graphite、PTFE
10	填料压盖 Gland	ASTM A216-WCB、ASTM A217-WC1、WC6、WC9、C5 ASTM A351-CF8、CF8M、CF3、CF3M
11	阀杆螺母 Yoke nut	铜合金、ZQA、19-4
12	手轮 Handwheel	ASTM A536 Gr.60-40-18、A216-WCB
13	定位片 Guiding piece	45、WCB、304、316、304L、316L
14	双头螺栓 Bolt	ASTM A193-B7、A193-B8、A193-B8M
15	六角螺母 Nut	ASTM A194-2H、A194-8、A194-8M

美标波纹管截止阀

STOP VALVE BELLOW SEAL ACC.TO ANSI

立足阀门市场 信守质量承诺
Integrity let us root in the valve world.

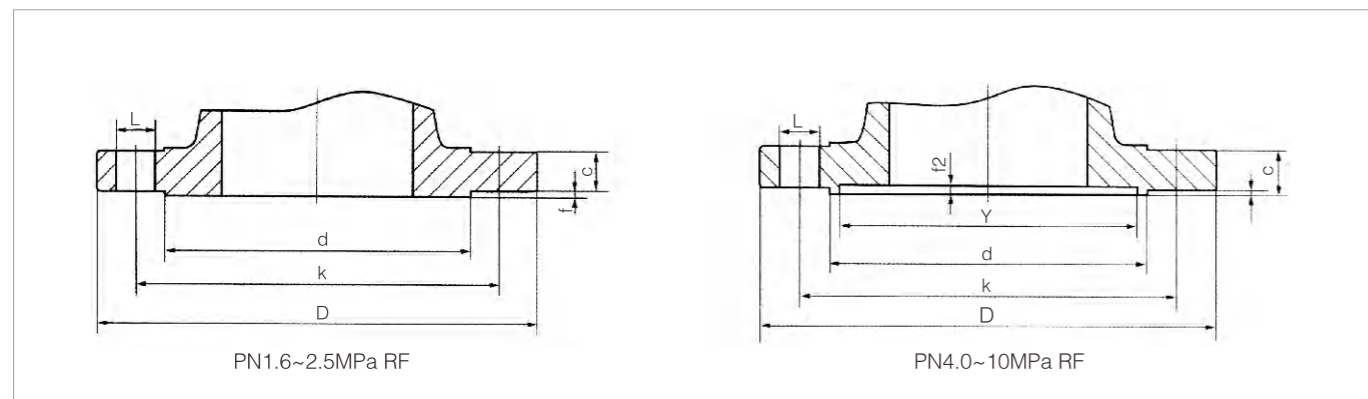


型号Model		AX41-150LB														
口径 Size	mm	15	20	25	32	40	50	65	80	100	125	150	200	250	300	350
	in	1/2	3/4	1	1 1/4	1 1/2	2	2 1/2	3	4	5	6	8	10	12	14
L		108	117	127	140	165	203	216	241	292	356	406	495	622	698	787
H		241	241	241	280	286	368	387	400	457	520	609	698	762	876	990
W		120	140	140	180	200	220	260	280	300	320	340	400	450	450	450
重量(Kg)Weight		4	6	6	10	13	18	30	35	55	75	104	200	300	390	610
型号Model		AX41-300LB														
口径 Size	mm	15	20	25	32	40	50	65	80	100	125	150	200	250	300	350
	in	1/2	3/4	1	1 1/4	1 1/2	2	2 1/2	3	4	5	6	8	10	12	14
L		152	178	203	215	229	267	292	318	356	400	444	559	622	711	762
H		241	241	283	320	322	399	438	450	584	610	660	762	850	1085	1187
W		120	140	140	180	200	220	260	280	300	320	340	400	450	450	450
重量(Kg)Weight		6	7	10	15	20	25	30	52	88	115	160	259	420	595	876
型号Model		AX41-600LB														
口径 Size	mm	15	20	25	32	40	50	65	80	100	125	150	200	250	300	350
	in	1/2	3/4	1	1 1/4	1 1/2	2	2 1/2	3	4	5	6	8	10	12	14
L		165	190	216	229	241	292	330	356	432	508	559	660	787	838	889
H		240	280	320	320	390	430	480	508	635	750	914	1016	1219	1330	1560
W		140	140	160	160	180	180	250	250	350	400	450	500	600	720	760
重量(Kg)Weight		7	10	16	32	29	35	50	90	150	230	300	510	850	1120	1400
型号Model		AX41-900LB														
口径 Size	mm	15	20	25	32	40	50	65	80	100	125	150	200	250	300	350
	in	1/2	3/4	1	1 1/4	1 1/2	2	2 1/2	3	4	5	6	8	10	12	14
L		229	229	254	279	305	368	419	381	457	559	610	737	838	965	1029
H		280	330	350	430	508	569	430	635	774	860	1040	1330	1560	1650	1780
W		160	160	180	180	250	250	320	350	450	550	600	720	760	820	890
重量(Kg)Weight		10	16	23	37	49	65	75	120	200	350	410	790	1300	1500	1800

整体钢制管法兰 JB/T 79.1-1994
WHOLE STEEL PIPE FLANGE JB/T 79.1-1994

整体钢制管法兰 JB/T 79.2-1994
WHOLE STEEL PIPE FLANGE JB/T 79.2-1994

立足阀门市场 信守质量承诺
Integrity let us root in the valve world.



PN1.6MPa RF							
DN	D	k	L	螺栓n-Th	d	f	C
15	95	65	14	4-M12	45	2	14
20	105	75	14	4-M12	55	2	14
25	115	85	14	4-M12	65	2	14
32	135	100	18	4-M16	78	2	16
40	145	110	18	4-M16	85	3	16
50	160	125	18	4-M16	100	3	16
65	180	145	18	4-M16	120	3	18
80	195	160	18	8-M16	135	3	20
100	215	180	18	8-M16	155	3	20
125	245	210	18	8-M16	185	3	22
150	280	240	23	8-M20	210	3	24
200	335	295	23	12-M20	265	3	26
250	405	355	26	12-M24	320	3	30
300	460	410	26	12-M24	375	4	30
350	520	470	26	16-M24	435	4	34
400	580	525	30	16-M27	485	4	36
450	640	585	30	20-M27	545	4	40
500	705	650	34	20-M30	608	4	44
600	840	770	41	20-M36	718	5	48
700	910	840	41	24-M36	788	5	50
800	1020	950	41	24-M36	898	5	52

PN2.5MPa RF							
DN	D	k	L	螺栓n-Th	d	f	C
15	95	65	14	4-M12	45	2	16
20	105	75	14	4-M12	45	2	16
25	115	85	14	4-M12	65	2	16
32	135	100	18	4-M16	78	2	18
40	145	110	18	4-M16	85	3	18
50	160	125	18	4-M16	100	3	20
65	180	145	18	8-M16	120	3	22
80	195	160	18	8-M16	135	3	22
100	230	190	23	8-M20	160	3	24
125	270	220	26	8-M24	188	3	28
150	300	250	26	8-M24	218	3	30
200	360	310	26	8-M24	278	3	34
250	425	370	30	12-M27	332	3	36
300	485	430	30	12-M27	390	4	40
350	550	490	34	16-M30	448	4	44
400	610	550	34	16-M30	505	4	48
450	660	600	34	20-M30	555	4	50
500	730	660	41	20-M36	610	4	52
600	840	770	41	20-M36	718	5	56
700	955	875	48	24-M42	815	5	60
800	1070	990	48	24-M42	930	5	64

PN4.0MPa FM									
DN	D	k	L	螺栓n-Th	d	Y	f	f	C
15	95	65	14	4-M12	45	40	2	4	16
20	105	75	14	4-M12	55	51	2	4	16
25	115	85	14	4-M12	65	58	2	4	16
32	135	100	18	4-M16	78	66	2	4	18
40	145	110	18	4-M16	85	76	3	4	18
50	160	125	18	4-M16	100	88	3	4	20
65	180	145	18	8-M16	120	110	3	4	22
80	195	160	18	8-M16	135	121	3	4	22
100	235	190	23	8-M20	160	150	3	4.5	24
125	270	220	26	8-M24	188	176	3	4.5	28
150	300	250	26	8-M24	218	204	3	4.5	30
200	375	320	30	12-M27	282	260	3	4.5	38
250	445	385	34	12-M30	345	313	3	4.5	42
300	510	450	34	16-M30	408	364	4	4.5	46
350	570	510	34	16-M30	465	422	4	5	52
400	655	585	41	16-M36	535	474	4	5	58
450	680	610	41	20-M36	560	524	4	5	60
500	755	670	48	20-M42	612	576	4	5	62
600	890	795	54	20-M48	730	678	5	6	62
700	995	900	54	24-M48	835	768	5	6	68

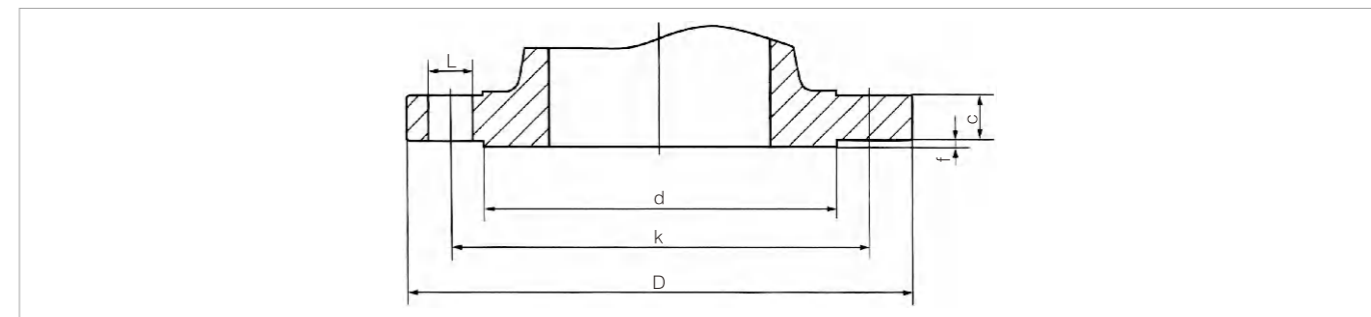
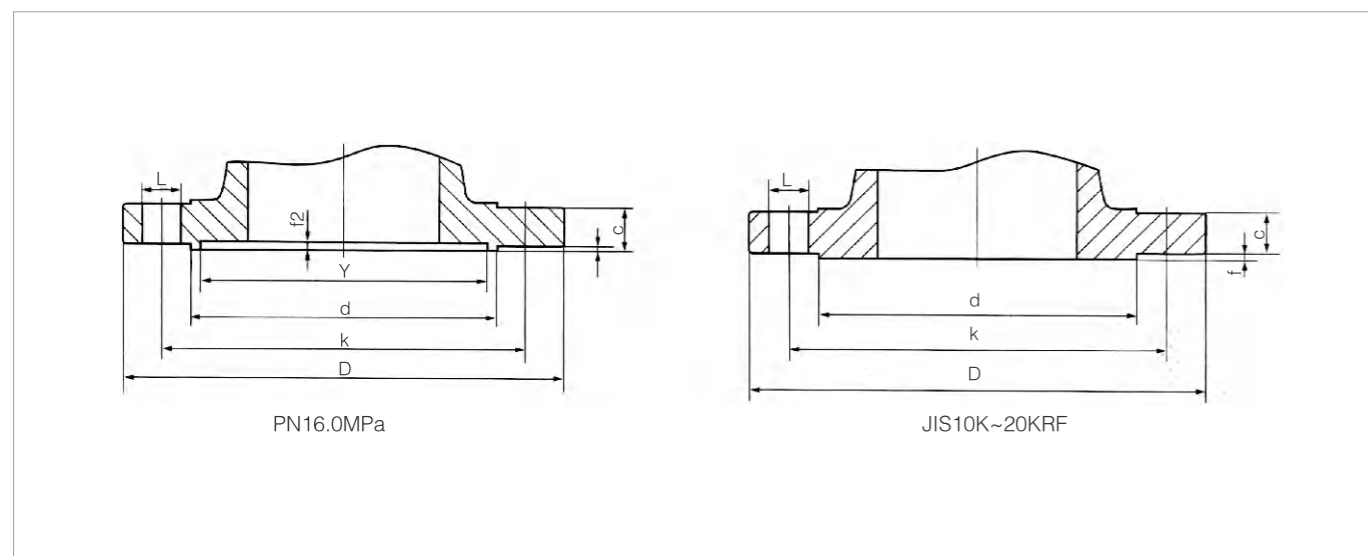
PN6.4MPa FM									
DN	D	k	L	螺栓n-Th	d	Y	f	f	C
15	105	75	14	4-M12	55	40	2	4	18
20	125	90	18	4-M16	68	51	2	4	20
25	135	100	18	4-M16	78	58	2	4	22
32	150	110	23	4-M20	82	66	2	4	24
40	165	125	23	4-M20	95	76	3	4	24
50	175	135	23	4-M20	105	88	3	4	26
65	200	160	23	8-M20	130	110	3	4	28
80	210	170	23	8-M20	140	121	3	4.5	30
100	250	200	26	8-M24	168	150	3	4.5	32
125	295	240	30	8-M27	202	176	3	4.5	36
150	340	280	34	8-M30	240	204	3	4.5	38
200	405	345	34	12-M30	300	260	3	4.5	44
250	470	400	41	12-M36	352	313	3	4.5	48
300	595	460	41	16-M36	412	364	4	4.5	54
350	600	525	41	16-M36	475	422	4	5	60
400	670	585	48	16-M42	525	474	4	5	66
500	800	705	54	20-M48	640	576	4	5	70
600	930	820	58	20-M52	750	678	5	6	76

PN10.0MPa FM									
DN	D	k	L	螺栓n-Th	d	Y	f	f	C
50	195	145	26	4-M24	112	88	3	4	28
65	220	170	26	8-M24	138	110	3	4	32
80	230	180	26	8-M24	148	121	3	4	34
100	265	210	30	8-M27	172	150	3	4.5	38
125	310	250	34	8-M30	210	176	3	4.5	42
150	350	290	34	12-M30	250	204	3	4.5	46
200	430	360	41	12-M36	312	260	3	4.5	54
250	500	430	41	12-M36	382	313	3	4.5	60
300	585	500	48	16-M42	442	364	4	4.5	70
350	655	560	54	16-M48	498	422	4	5	76
400	715	620	54	16-M48	558	474	4	5	80

整体钢制管法兰 JIS B2212-B2214-1999
WHOLE STEEL PIPE FLANGE JIS B2212-B2214-1999

整体钢制管法兰 JIS B2212-B2214-1999
WHOLE STEEL PIPE FLANGE JIS B2212-B2214-1999

立足阀门市场 信守质量承诺
Integrity let us root in the valve world.



PN16.0MPa FM									
DN	D	k	L	螺栓n-Th	d	Y	f	f	C
25	140	100	23	4-M20	72	58	2	4	28
32	165	115	25	4-M22	85	66	2	4	30
40	175	125	27	4-M24	92	76	3	4	32
50	215	165	25	8-M22	132	88	3	4	36
65	245	190	30	8-M27	152	110	3	4	44
80	260	205	30	8-M27	168	121	3	4	46
100	300	240	34	8-M30	200	150	3	4.5	48
150	390	318	41	12-M36	270	204	3	4.5	66
200	480	400	48	12-M42	345	260	3	4.5	78
250	580	485	54	12-M48	325	313	3	4.5	88
300	665	570	54	16-M48	510	364	4	4.5	100

CLASS150 RF								
DN	NPS	D	k	L	螺栓n-Th	d	f	C
25	1	108	79.5	15	4-M14	51	2	12
40	1½	127	98.5	15	4-M14	73	2	15
50	2	152	120.5	18	4-M16	92	2	16
65	2½	178	139.5	18	4-M16	105	2	18
80	3	190	152.5	18	4-M16	127	2	19
100	4	229	190.5	18	8-M16	157	2	24
125	5	254	216	22	8-M20	186	2	24
150	6	279	241.5	22	8-M20	216	2	26
200	8	343	298.5	22	8-M20	270	2	29
250	10	406	362	26	12-M24	324	2	31
300	12	483	432	26	12-M24	381	2	32
350	14	533	476	29	12-M27	413	2	35
400	16	579	540	29	16-M27	470	2	37
450	18	635	578	32	16-M30	533	2	40
500	20	699	635	32	20-M30	584	2	43
600	24	813	749.5	35	20-M33	692	2	48
700	28	927	863.5	35	28-M33	800	2	72
800	32	1060	978	41	28-M39	914	2	81

JIS 10K RF								
DN	D	k	L	螺栓n-Th	d	f	f	C
100	210	175	19	8-M16	155	2	2	18
125	250	210	23	8-M20	185	2	2	20
150	280	240	23	8-M20	215	2	2	22
200	330	290	23	12-M20	265	2	2	22
250	400	355	25	12-M22	325	2	2	24
300	445	400	25	16-M22	370	3	3	24
350	490	445	25	16-M22	415	3	3	26
400	560	510	27	16-M24	475	3	3	28
450	620	565	27	20-M24	530	3	3	30
500	675	620	27	20-M24	585	3	3	30

CLASS300 RF								
DN	NPS	D	k	L	螺栓n-Th	d	f	C
25	1	124	89	19	4-M16	51	2	18
40	1½	156	114.5	22	4-M20	73	2	21
50	2	165	127	19	8-M16	92	2	23
65	2½	190	149	22	8-M20	105	2	26
80	3	210	168.5	22	8-M20	127	2	29
100	4	254	200	22	8-M20	157	2	32
125	5	279	235	22	8-M20	186	2	35
150	6	318	270	22	12-M20	216	2	37
200	8	381	330	26	12-M24	270	2	42
250	10	445	387.5	29	16-M27	324	2	48
300	12	521	451	32	16-M30	381	2	51
350	14	584	514.5	32	20-M30	413	2	54
400	16	648	571.5	35	20-M33	470	2	58
450	18	711	628.5	35	24-M33	533	2	61
500	20	775	686	35	24-M33	584	2	64
600	24	914	813	41	24-M39	692	2	70
700	28	1035	940	45	28-M42	800	2	86
800	32	1149	1054	52	28-M48	914	2	99

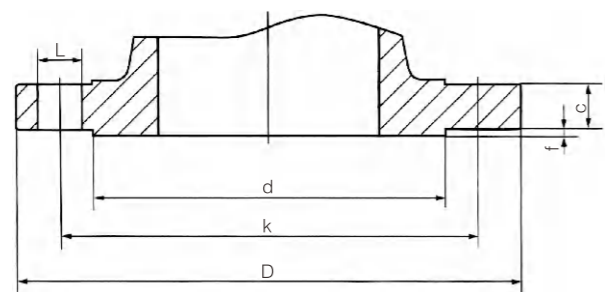
JIS 10K RF								
DN	D	k	L	螺栓n-Th	d	f	f	C
100	225	185	23	8-M20	160	2	2	24
125	270	225	25	8-M22	195	2	2	26
150	305	260	25	12-M22	230	2	2	28
200	350	305	25	12-M22	275	2	2	30
250	430	380	27	12-M24	345	2	2	34
300	480	430	27	16-M24	395	3	3	35
350	540	480	33	16-M30 x 3	440	3	3	40
400	605	540	33	16-M30 x 3	495	3	3	46
450	675	605	33	20-M30 x 3	560	3	3	48
500	730	660	33	20-M30 x 3	615	3	3	50

CLASS400 RF								
DN	NPS	D	k	L	螺栓n-Th	d	f	C
25	1	124	88.9	19	4-M16	51	2	17.5
40	1½	156	114.3	22	4-M20	73	2	22.5
50	2	165	127	19	8-M16	92	2	22.5
65	2½	190	149.2	22	8-M20	105	2	29
80	3	210	168.3	22	8-M20	127	2	32
100	4	254	200	26	8-M24	157	2	35
125	5	279	234.9	26	8-M24	186	2	38.5
150	6	318	269.9	26	12-M24	216	2	41.5
200	8	381	330.2	29	12-M27	270	2	48
250	10	445	387.3	32	16-M30	324	2	54
300	12	520	450.8	35	16-M30	381	2	57.5
350	14	585	514.3	35	20-M33	413	2	60.5
400	16	650	571.5	39	20-M36	470	2	63.5
450	18	710	628	39	24-M36	533	2	67
500	20	775	685.8	42	24-M39	584	2	70
600	24	915	812.8	48	24-M45	692	2	76.5
700	28	1035	940	50	28-M48	800	2	95
800	32	1149	1054	54	28-M52	914	2	108

整体钢制管法兰 ASME/ANSI B16.5A-1992 B 16.47-1996
WHOLE STEEL PIPE FLANGE ASME/ANSI
B16.5A-1992 B 16.47-1996

德标铸钢法兰 DIN B2543-2545
CAST-STEEL FLANGE ACC.TO DIN B2543-2545

立足阀门市场 信守质量承诺
Integrity let us root in the valve world.



CLASS600 RF

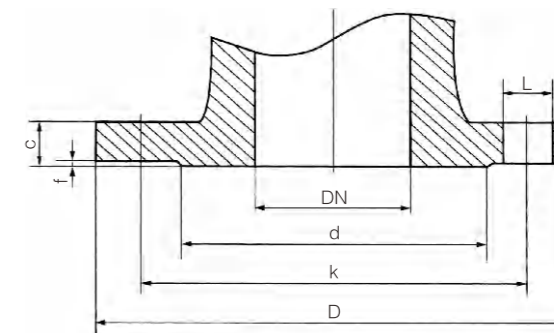
DN	NPS	D	k	L	螺栓n-Th	d	f	C
25	1	124	89	19	4-M16	51	6.4	18
40	1½	156	114.5	22	4-M20	73	6.4	23
50	2	165	127	19	8-M16	92	6.4	26
65	2½	190	149	22	8-M20	105	6.4	29
80	3	210	168	22	8-M20	127	6.4	32
100	4	273	216	25	8-M24	157	6.4	38
125	5	330	266.5	29	8-M27	186	6.4	45
150	6	356	292	29	12-M27	216	6.4	48
200	8	419	349	32	12-M30	270	6.4	56
250	10	508	432	35	16-M33	324	6.4	64
300	12	559	489	35	20-M33	381	6.4	67
350	14	603	527	38	20-M36	413	6.4	70
400	16	686	603	41	20-M39	470	6.4	77
450	18	743	654	44	20-M42	533	6.4	83
500	20	813	724	44	24-M42	584	6.4	89
600	24	940	838	52	24-M48	692	6.4	102
700	28	1073	965.2	54	28-M48	800	6.4	111
800	32	1194	1079.5	60	28-M56	914	6.4	117

CLASS900 RF

DN	NPS	D	k	L	螺栓n-Th	d	f	C
25	1	149	101.6	26	4-M24	51	6.4	29
32	1¼	159	111.1	26	4-M24	64	6.4	29
40	1½	178	123.8	29	4-M27	73	6.4	32
50	2	216	165.1	26	8-M24	92	6.4	38.5
65	2½	244	190.5	29	8-M27	105	6.4	41.5
80	3	241	190.5	26	8-M24	127	6.4	38.5
100	4	292	234.9	32	8-M30	157	6.4	44.5
150	6	381	317.5	32	12-M30	216	6.4	56
200	8	470	393.7	39	12-M36	270	6.4	63.5
250	10	545	469.9	39	16-M36	324	6.4	70
300	12	610	533.4	39	20-M36	381	6.4	79.5
350	14	640	558.8	42	20-M39	413	6.4	86
400	16	705	615.9	45	20-M42	470	6.4	89
450	18	785	685.8	51	20-M48	533	6.4	102
500	20	855	749.3	54	20-M52	584	6.4	108
600	24	1040	901.7	67	20-M64	692	6.4	140

CLASS1500 RF

DN	NPS	D	k	L	螺栓n-Th	d	f	C
25	1	149	101.6	26	4-M24	51	6.4	29
32	1¼	159	111.1	26	4-M24	64	6.4	29
40	1½	178	123.8	29	4-M27	73	6.4	32
50	2	216	165.1	26	8-M24	92	6.4	38.5
65	2½	244	190.5	29	8-M27	105	6.4	41.5
80	3	267	203.2	32	8-M30	127	6.4	48
100	4	311	241.3	35	8-M33	157	6.4	54
150	6	394	317.5	39	12-M36	216	6.4	83
200	8	483	393.7	45	12-M42	270	6.4	93
250	10	585	482.6	51	12-M48	324	6.4	108
300	12	675	571.5	54	16-M52	381	6.4	124
350	14	750	635	61	16-M56	413	6.4	133.5
400	16	825	704.8	67	16-M64	470	6.4	146.5
450	18	915	774.7	74	16-M72	533	6.4	162
500	20	985	831.8	80	16-M76	584	6.4	178
600	24	1170	990.6	93	16-M90	692	6.4	203.5



DIN PN1.6MPa RF

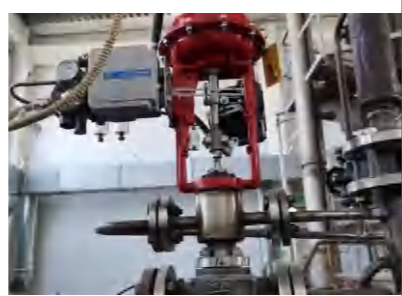
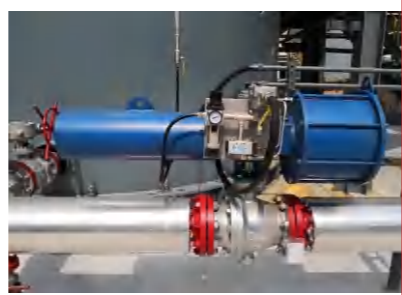
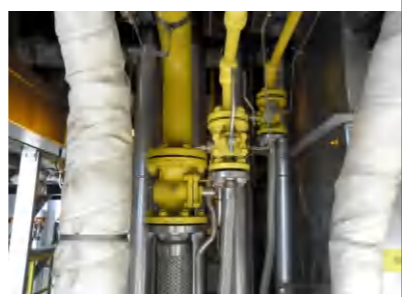
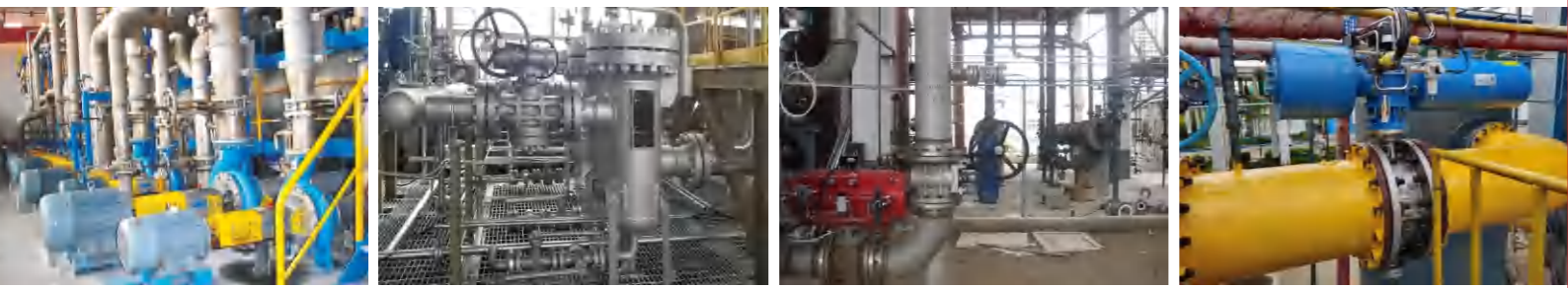
DN	D	k	L	螺栓n-Th	d	f	C
15	95	65	14	4-M12	45	2	16
20	105	75	14	4-M12	58	2	18
25	115	85	14	4-M12	68	2	18
32	140	100	18	4-M16	78	2	18
40	150	110	18	4-M16	88	3	18
50	165	125	18	4-M16	102	3	20
65	185	145	18	4-M16	122	3	18
80	200	160	18	8-M16	138	3	20
100	220	180	18	8-M16	158	3	20
125	250	210	18	8-M16	188	3	22
150	285	240	22	8-M20	212	3	22
200	340	295	22	12-M20	268	3	24
250	405	355	26	12-M24	320	3	26
300	460	410	26	12-M24	378	4	28
350	520	470	26	16-M24	438	4	30

DIN PN2.5MPa RF

DN	D	k	L	螺栓n-Th	d	f	C
15	95	65	14	4-M12	45	2	16
20	105	75	14	4-M12	58	2	18
25	115	85	14	4-M12	68	2	18
32	140	100	18	4-M16	78	2	18
40	150	110	18	4-M16	88	3	18
50	165	125	18	4-M16	102	3	20
65	185	145	18	8-M16	122	3	22
80	200	160	18	8-M16	138	3	24
100	235	190	22	8-M20	162	3	24
125	270	210	26	8-M24	188	3	26
150	300	250	26	8-M24	218	3	28
200	360	310	26	12-M24	278	3	30
250	425	370	30	12-M24	335	3	32
300	485	430	30	16-M27	395	4	34
350	555	490	33	16-M30	450	4	38

DIN PN4.0MPa RF

DN	D	k	L	螺栓n-Th	d	f	C
15	95	65	14	4-M12	45	2	16
20	105	75	14	4-M12	58	2	18
25	115	85	14	4-M12	68	2	18
32	140	100	18	4-M16	78	2	18
40	150	110	18	4-M16	88	3	18
50	165	125	18	4-M16	102	3	20
65	185	145	18	8-M16	122	3	22
80	200	160	18	8-M16	138	3	24
100	235	190	22	8-M20	162	3	24
125	270	220	26	8-M24	188	3	26
150	300	250	26	8-M24	218	3	28
200	375	320	30	12-M27	285	3	34
250	450	385	33	12-M30	345	3	38
300	515	450	33	16-M30	410	4	42
350	580	510	36	16-M33	465	4	46



Applications 工程实例

立信产品应用于造纸、糖业、氧化铝、矿业、石油、天然气、化工、电力、污水等行业。凭借其优秀的品质和质量保障，得到客户的好评和赞誉。

LIXIN Products are applied to paper, sugar, alumina, mining, petroleum, gas, chemical, power, sewage industries.

With its excellent quality and quality assurance, We win much praise.

LETTER OF GUARANTEE OF AFTER-SALES SERVICE

售后服务承诺书

为了提供更优质的产品给用户，我公司在技术支持和售后服务方面，建立企业诚信价值体系，使公司的产品无论在技术、质量和服务方面都是最优的，公司通过了一系列的认证如ISO 9001、API 6D、CE、特种设备制造许可证等等，为此企业向用户承诺会做到下列几点（如果用户提出合理的要求我公司也会按要求执行）：

- ① 我公司负责所提供设备的现场安装指导、调试及操作人员培训。
- ② 我公司负责现场调试安装需要的特殊工具和消耗品。
- ③ 当业主通知投产运行时要求我公司派人员进行现场监督运行，我公司派有经验的工程师检查安装，并监督试运和运行工作。
- ④ 长期免费提供24小时的技术支持热线。
- ⑤ 阀门的质量免费保证期为货到到货后12个月，在质量保质期内，若发现我公司提供的阀门有任何质量或功能问题，我公司免费进行更换和维修。当设备出现故障或不能满足业主要求时，我公司按照业主要求排除故障，直到业主满意为止。
- ⑥ 质量保证期结束后，我方保证长期提供技术服务，费用由我方按成本收取。若出现任何质量问题，我方在接到用户通知后72小时内，派有经验的工程师到达现场进行服务。
- ⑦ 质量保证期内的技术服务费用由我公司自己承担，质量保证期结束后的技术服务费用我公司收取一定的差旅费。

To provide products of higher quality for customers, our company has established enterprise sincerity value system in the aspects of technical support and after-sales service, so as to make our products the most excellent in technology, quality and service. The company has passed series of certifications such as ISO 9001, API 6D, CE and manufacturing license for special equipment etc. For this reason, our company promises to abide by the following items (our company will also follow any reasonable requirements brought forward by users):

- ① Our company will be responsible for providing site installation guide, debugging and trainings to operators for the equipment offered.
- ② Our company will provide special tools and wearing parts necessary for site installation.
- ③ Upon user's notification of putting into operation, our company will dispatch personnel to supervise the operation on site. The experienced engineer dispatched by our company will check the installation and supervise the trial operation and running.
- ④ We will always provide 24-hour hotline for technical support.
- ⑤ The warranty period of our valves is 12 months after the arrival of goods. During the warranty period, if any quality or function problem is found in the valve offered by us, our company will make replacement and maintenance free of charge. If the any malfunction occurs in the equipment or user's requirements can't be satisfied, our company will eliminate the malfunction according to user's requirements until full satisfaction is gained from the user.
- ⑥ After the warranty period expires, our company promises to always provide technical service and we will receive charge according to the real cost. If there is any quality problem, within 72 hours upon receiving user's notification of it, our company will dispatch the experienced engineer to arrive at the site for service.
- ⑦ The technical service costs incurred during the warranty period will be covered by our company, and a certain expenses for business travel will be charged by our company for those incurred after the warranty period expires.